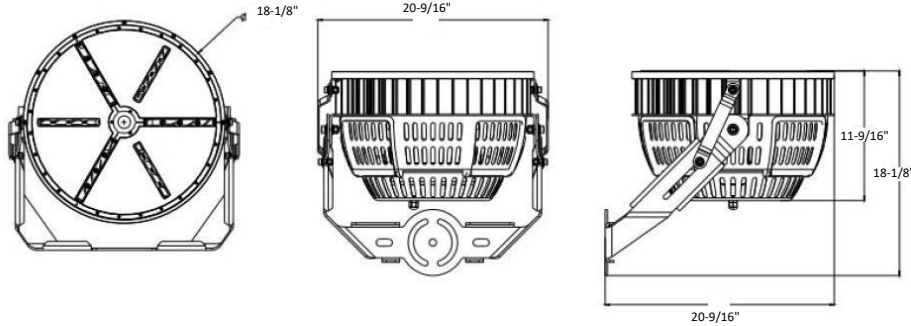




77038A - GEN 2 SPORTS LIGHT

80° BEAM ANGLE

120-277V 750W 5000K



FEATURES:

- 360° Lighting
- 80° Beam Angle
- Big Heat Sink with Excellent Heat Dissipation
- Internal Driver - Long Life High Efficiency LEDs
- Advanced Multi-faceted Optics
- SOSEN Drivers/SMD3030 LEDs
- 5' Whip Length
- 240° Tilt; 220° Rotation
- Direct Replacement for Metal Halide
- 10KV Surge Suppression
- IP65 Waterproof Rating
- Lightweight - 33 lbs
- -40° To 113° Operating Temperature
- 5 Year Warranty

| Part# | Wattage | Voltage | Lumens | CCT | CRI | Dimming | Light Pattern | Lumens/Watt |
|--------|---------|----------|--------|-------|-----|---------|---------------|-------------|
| 77038A | 750W | 120-277V | 88412 | 5000K | >70 | 0-10V | 80° | 118 |

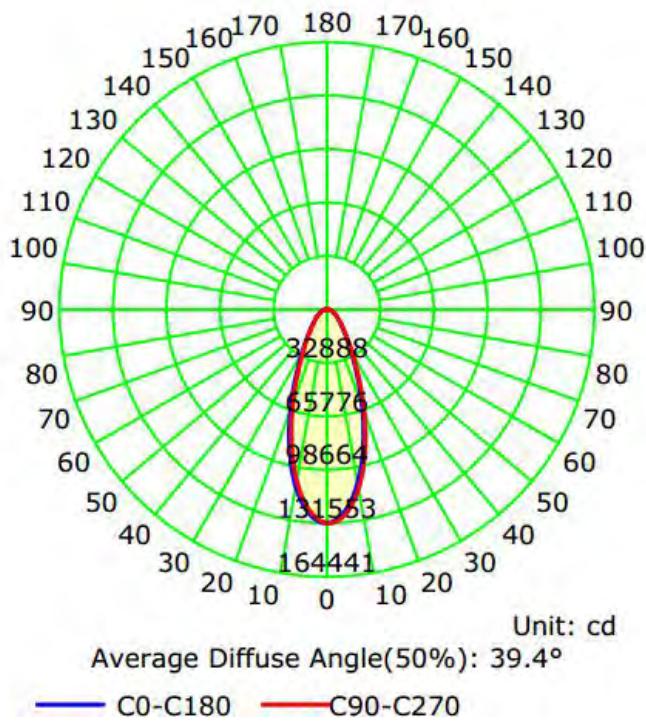


77038A - GEN 2 SPORTS LIGHT 80° BEAM ANGLE

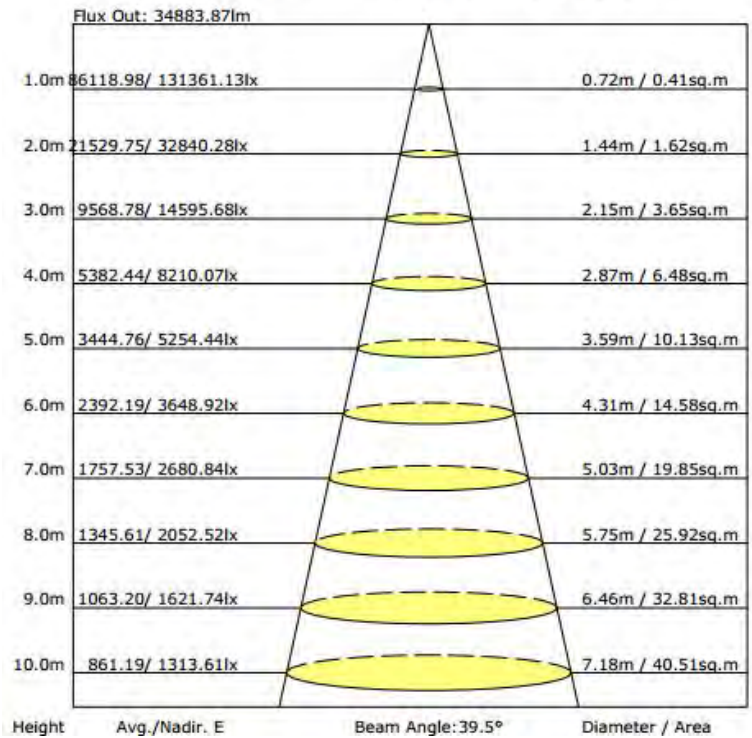
120-277V 750W 5000K

PHOTOMETRY:

Luminous Intensity Distribution Curve



The Average Illuminance Effective Figure





77038A - GEN 2 SPORTS LIGHT 80° BEAM ANGLE

120-277V 750W 5000K

Technical Specifications:

Electrical:

Input Voltage: 120-277V

Current: 6.25A @ 120V

Frequency: 60Hz

Power Factor: ≥ 0.99

THD: $> 20\%$

Product Parameters:

750 Watts

Lumens: 88,412

Efficacy: 118 Lumens Per Watt

50,000+ Hour LED Life Span

CCT: 5000K (Cool White)

Chromaticity Measurements:

Beam Angle: 80°

BUG Rating: B5-U0-G2

CRI: > 70

R9: -20

DUV: -0.0003

Chromaticity (x,y): $x=.3874$; $y=.3818$

Chromaticity (u,v): $u=.2294$; $v=.5144$

Component Specifications:

LED: SMD3030

Driver: 120-277V 50-60HZ

Driver Output Volts: 96VDC Driver

Output Amps: 7A

10,000V Surge Protection

Dimming: 0-10V

Operating Temperature:

Minimum Starting -40°F - 113°F

Construction:

Housing: Aluminum

Powder Coated

5' Whip Length

IP Rating: IP65

Lens Material: Polycarbonate

Mounting: Yoke (Bracket) OR Slipfitter

Listings: UL

Carton Qty: 1

Weight: 72 lbs

Warranty:

Morris Products carries a 5 year warranty from date of purchase against defects in materials and workmanship (assuming normal and proper usage).