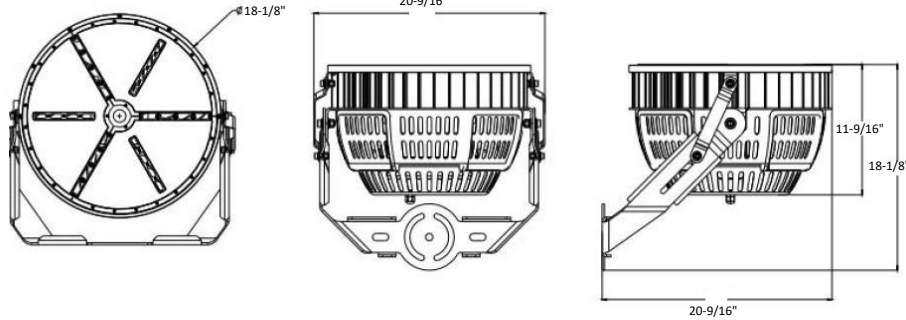




77016A - GEN 2 SPORTS LIGHT

40° BEAM ANGLE

277-480V 750W 5000K



FEATURES:

- 360° Lighting
- 40° Beam Angle
- Big Heat Sink with Excellent Heat Dissipation
- Internal Driver - Long Life high Efficiency LEDs
- Advanced Multi-faceted Optics
- SOSEN Drivers/SMD3030 LEDs
- 5' Whip Length
- 240° Tilt; 220° Rotation
- Direct Replacement for Metal Halide
- 10KV Surge Suppression
- IP65 Waterproof Rating
- Lightweight - 33 lbs
- -40° To 113° Operating Temperature
- 5 Year Warranty

| PART # | Wattage | Voltage | Lumens | CCT | CRI | Dimming | Light Pattern | Lumens/Watt | DLC PRODUCT ID#: |
|--------|---------|----------|--------|-------|-----|---------|---------------|-------------|------------------|
| 77016A | 750W | 277-480V | 96687 | 5000K | >70 | 0-10V | 40° | 129 | PBSHO3AF |

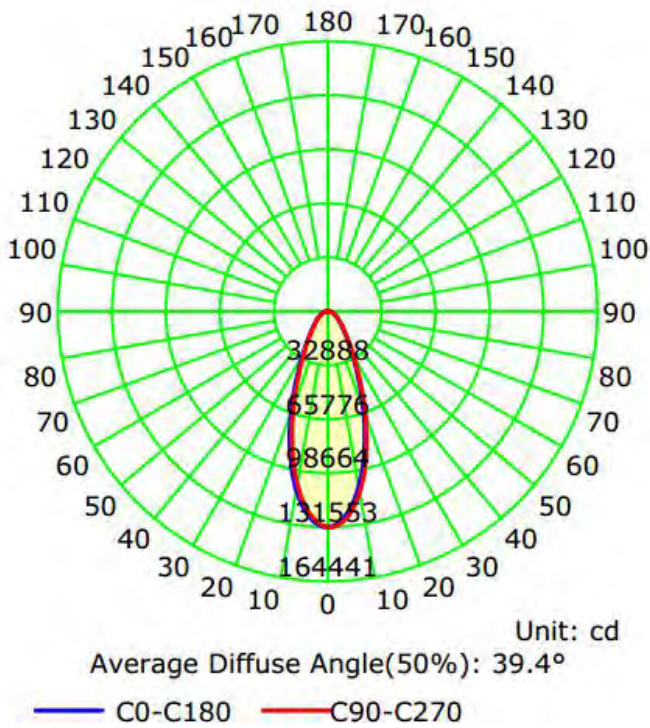


77016A - GEN 2 SPORTS LIGHT 40° BEAM ANGLE

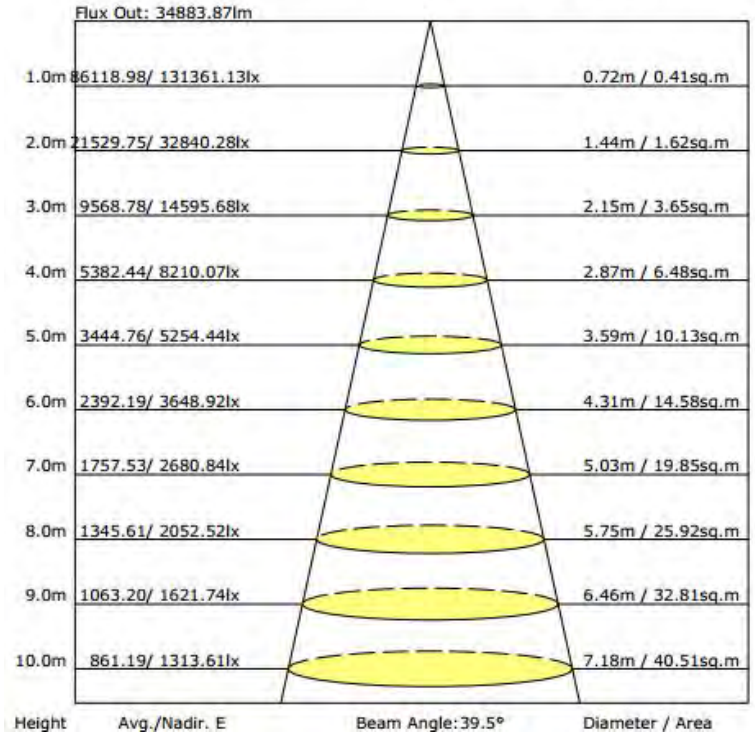
277-480V 750W 5000K

PHOTOMETRY:

Luminous Intensity Distribution Curve



The Average Illuminance Effective Figure





77016A - GEN 2 SPORTS LIGHT 40° BEAM ANGLE

277-480V 750W 5000K

TECHNICAL SPECIFICATIONS:

Electrical:

Input Voltage: 277-480V

Current: 1.60A @ 480V

Frequency: 60Hz

Power Factor: ≥ 0.99

THD: $> 20\%$

Product Parameters:

750 Watts

Lumens: 96687

Efficacy: 129 Lumens Per Watt

50,000+ Hour LED Life Span

CCT: 5000K (Cool White)

Chromaticity Measurements:

Beam Angle: 40°

BUG Rating: B5-U0-G2

CRI: > 70

R9: -25

DUV: -0.0003

Chromaticity (x,y): $x = .3874$; $y = .3818$

Chromaticity (u,v): $u = .2294$; $v = .5144$

Component Specifications:

LED: SMD3030

Driver: 277-480V 50-60HZ

Driver Output Volts: 96VDC

Driver Output Amps: 7A

10,000V Surge Protection

Dimming: 0-10V

Operating Temperature:

Minimum Starting -40°F - 113°F

Construction:

Housing: Aluminum

Powder Coated \

5' Whip Length

IP Rating: IP65

EPA: 1.90ft²

Lens Material: Polycarbonate

Mounting: Yoke (Bracket) OR Slipfitter

Listings:

cULus

DLC PRODUCT ID#: PBSHO3AF

Carton Qty: 1

Weight: 72 lbs

Warranty:

Morris Products carries a 5 year warranty from date of purchase against defects in materials and workmanship (assuming normal and proper usage).