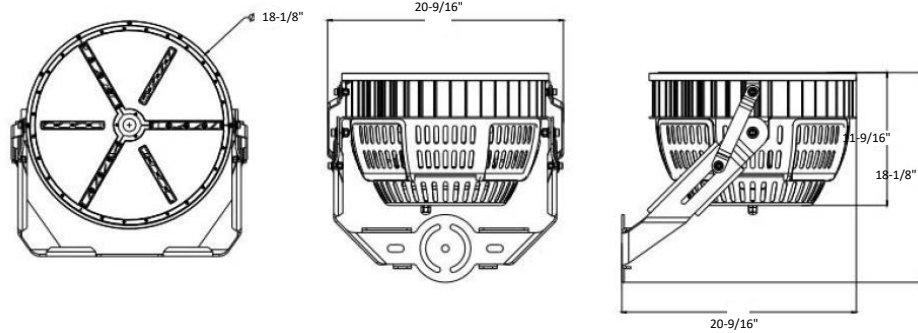




# 77015A - GEN 2 SPORTS LIGHT

## 40° BEAM ANGLE

120-277V 750W 5000K



### FEATURES:

- 360° Lighting
- 40° Beam Angle
- Big Heat Sink with Excellent Heat Dissipation
- Internal Driver - Long Life high Efficiency LEDs
- Advanced Multi-faceted Optics
- SOSEN Drivers/SMD3030 LEDs
- 5' Whip Length
- 240° Tilt; 220° Rotation
- Direct Replacement for Metal Halide
- 10KV Surge Suppression
- IP65 Waterproof Rating
- Lightweight - 33 lbs
- -40° To 113° Operating Temperature
- 5 Year Warranty

PART #	Wattage	Voltage	Lumens	CCT	CRI	Dimming	Light Pattern	Lumens/Watt	DLC PRODUCT ID#:
77015A	750W	120-277V	97279	5000K	>70	0-10V	40°	130	PL70DYGKMD58

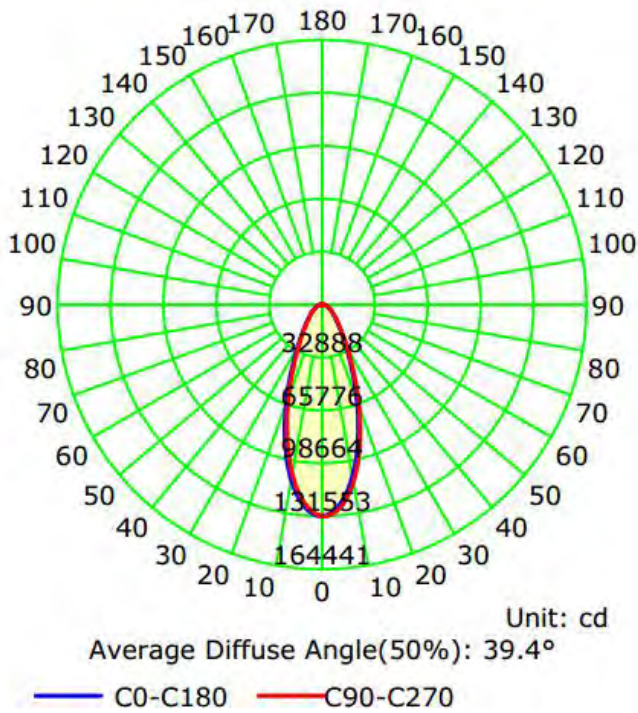


# 77015A - GEN 2 SPORTS LIGHT 40° BEAM ANGLE

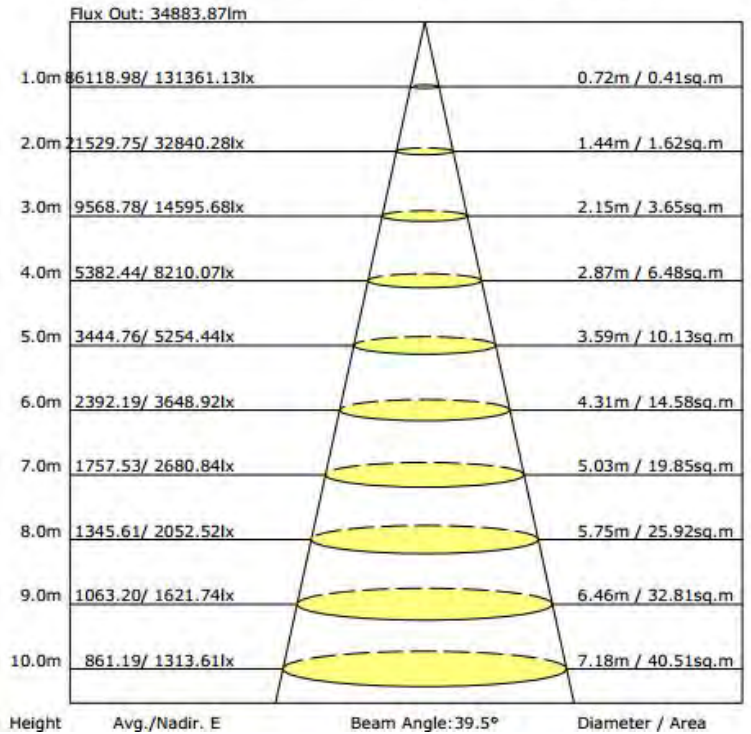
120-277V 750W 5000K

## PHOTOMETRY:

Luminous Intensity Distribution Curve



The Average Illuminance Effective Figure





# 77015A - GEN 2 SPORTS LIGHT 40° BEAM ANGLE

120-277V 750W 5000K

## TECHNICAL SPECIFICATIONS:

### Electrical:

Input Voltage: 120-277V

Current: 6.25A @ 120V

Frequency: 60Hz

Power Factor:  $\geq 0.99$

THD:  $> 20\%$

### Product Parameters:

750 Watts

Lumens: 97279

Efficacy: 130 Lumens Per Watt

50,000+ Hour LED Life Span

CCT: 5000K (Cool White)

### Chromaticity Measurements:

Beam Angle: 40°

BUG Rating: B5-U0-G2

CRI:  $> 70$

R9: -19

DUV: -0.0003

Chromaticity (x,y):  $x = .3874$ ;  $y = .3818$

Chromaticity (u,v):  $u = .2294$ ;  $v = .5144$

### Component Specifications: LED:

SMD3030

Driver: 120-277V 50-60HZ

Driver Output Volts: 96VDC

Driver Output Amps: 7A

10,000V Surge Protection

**Dimming:** 0-10V

### Operating Temperature:

Minimum Starting -40°F - 113°F

### Construction:

Housing: Aluminum

Powder Coated

5' Whip Length

IP Rating: IP65

EPA: 1.90ft<sup>2</sup>

Lens Material: Polycarbonate

Mounting: Yoke (Bracket) OR Slipfitter

Listings:

cULus

DLC PRODUCT ID#: PL70DYGKMD58

Carton Qty: 1

Weight: 72 lbs

Warranty:

Morris Products carries a 5 year warranty from date of purchase against defects in materials and workmanship (assuming normal and proper usage).