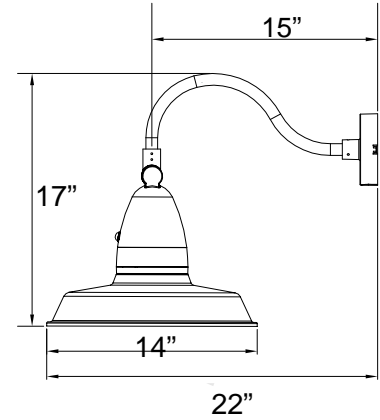
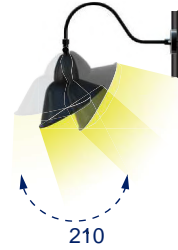




75123B - LED GOOSENECK FLOOD LIGHT

35W 120-277V 3K/4K/5K



FEATURES:

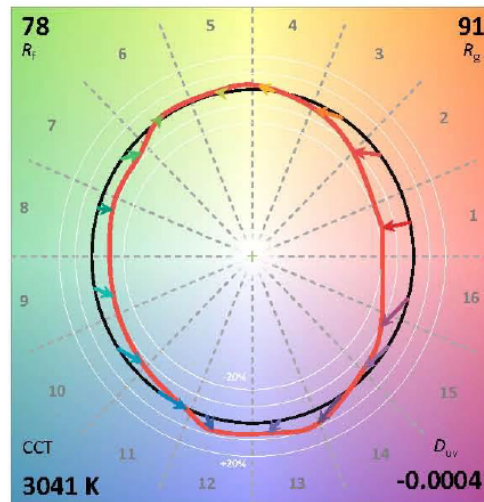
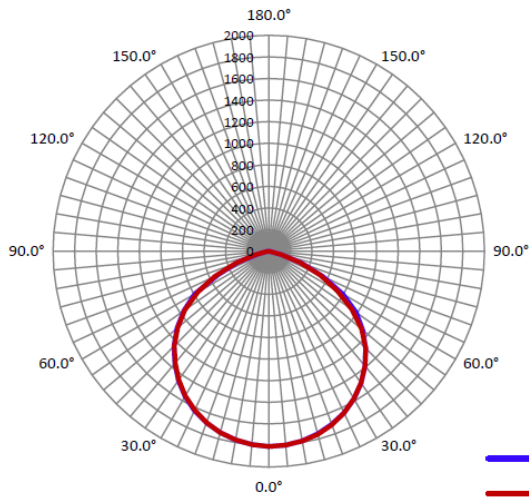
- Die-cast aluminum housing and mounting box
- Durable polyester powder coating finish
- Tempered glass lens, thermal shock and impact resistant
- Input voltage: 120-277Vac 50/60Hz
- CCT Selectable: 3000K/4000K/5000K
- LED: 3030 x 126pcs
- Surge Protect: 4KV
- With Steel 14" Straight Shroud, Removable
- With 4.9" back mounting plate
- With dimmable driver
- *Photocontrol included with on/off switch
- UL & DLC Listed

Perfect for Sign/Barn Light Application

*The ON/OFF photocell is pre-installed in the fixture and the default switch setting is ON. The photocell must be turned OFF for the fixture to operate when there is ambient or bright light.

Part#	Input/Wattage	Volts	Lumens	CCT	CRI	Color	Light Pattern	Lumens/Watt	DLC product ID #
75123B	35W	120-277V	4,824	3000K 4000K 5000K	>70	White	114 Outdoor	131 Lm/w	S-K6SNWG

PHOTOMETRY





75123B - LED GOOSENECK FLOOD LIGHT

35W 120-277V 3K/4K/5K

Technical Specifications:

Electrical:

Input Voltage: 120-277V

Current: .3118@120V

Frequency: 50/60Hz

Power Factor: $\geq .99$

THD: 8.57% @120V

Product Parameters:

Input Watts: 35W

Lumens: 4,824

Efficacy: 131 lumens per watt

50,000+ Hour L70 Life Span

CCT: 3000K/4000K/5000K

Measurements:

Beam Angle: 114

CRI: >70

R9: -33

Component

Specifications:

LED: 3030 x 126pcs

Driver Voltage: 120-277VV

Frequency: 50-60Hz

Dimming:

0-10V

SWITCHABLE

3000K/4000K/5000K

Operating Temperature:

Minimum Starting: -40°F to 122°F

Construction:

Housing: Aluminum Housing

Powder Coat Finish: White

IP65 Wet and dry location

Lens Material: Clear Polycarbonate Lens

Mounting: Wall

Listings:

UL

DLC

Warranty:

Morris Products carries a 5 year warranty from date of purchase against defects in materials and workmanship (assuming normal and proper usage).