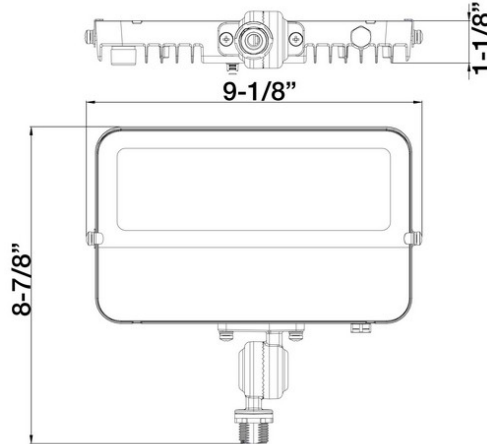




# 74526 - LED SMALL FLOOD

50W 120V 3K/4K/5K KNUCKLE MOUNT

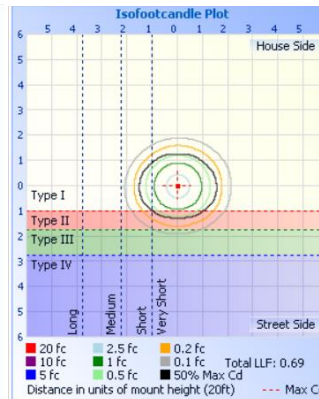
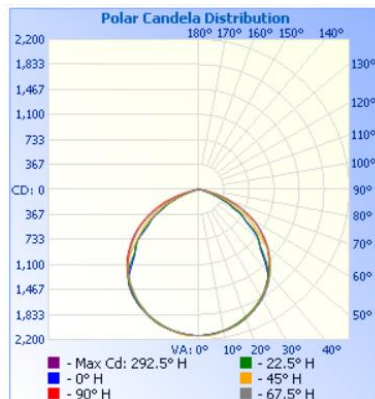
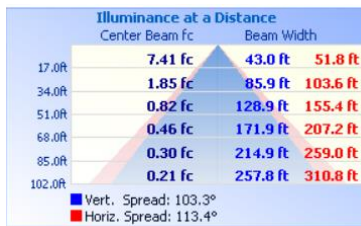


## FEATURES:

- Integral Cooling Fin Releases Heat Efficiently to Maintain the Life of LED's & LED Driver
- Corrosion Resistant Die Cast Aluminum Housing
- Tempered Glass Lens
- Photocontrol Can Be Installed Remotely
- Superior Architectural Powder Coat Finish
- Color Tunable: 3000K, 4000K, 5000K
- Operating Temperature: -40°F to 104°F
- Mount: 1/2" Knuckle
- IP65 Wet Location Rated
- UL Listed, DLC PRODUCT ID#: PDVVZA9S
- 5 Year Warranty

Part#	Housing Color	Wattage	Lumens	CCT	Voltage	Beam Angle	Lumens/Watt	DLC PRODUCT ID#
74526	White	50W	5,624@3K	3K/4K/5K	120V	114°	112lm/w @ 3K	PDVVZA9S

## PHOTOMETRY





# 74526 - LED SMALL FLOOD

50W 120V 3K/4K/5K KNUCKLE MOUNT

## Technical Specifications:

### **Electrical:**

Input Voltage: 120V  
Current: .0.457A @ 120V  
Frequency: 60Hz  
Power Factor:  $\geq 0.9$   
THD: 15.92% @ 120V

### **Product Parameters:**

50 Watts  
Efficacy: 112 lumens per watt  
50,000+ LED Life Span  
CCT: 3000K/4000K/5000K

### **Chromaticity Measurements:**

Beam Angle: 114°  
CRI: >70  
R9: 0  
DUV: -0.0001  
Chromaticity (x,y): x=0.4412 y=0.4053  
Chromaticity (u,v): u=0.2528 ; v= 0.5225

### **Component Specifications:**

LED: Philips 2835  
Driver Voltage: 120V  
Frequency: 50-60HZ

**Dimming:** N/A

### **Operating Temperature:**

Minimum Starting: -40°F to 104°F

### **Construction:**

Housing: Corrosion Resistant Die Cast Aluminum Housing

IP Rating: IP65 Wet Location

Lens Material: Tempered Glass

Mounting: 1/2" Knuckle Mount

### **Listing:**

cULus

DLC PRODUCT ID#: PDVVZA9S

### **Warranty:**

Morris Products carries a 5 year warranty from date of purchase against defects in materials and workmanship (assuming normal and proper usage).