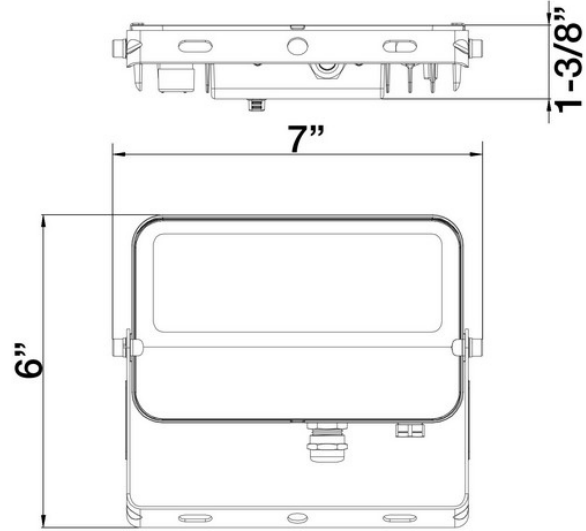




Morris CAT#: 74512

LED Color Tunable Small Flood

30W, 120V, 3K/4K/5K Bracket Mount, White

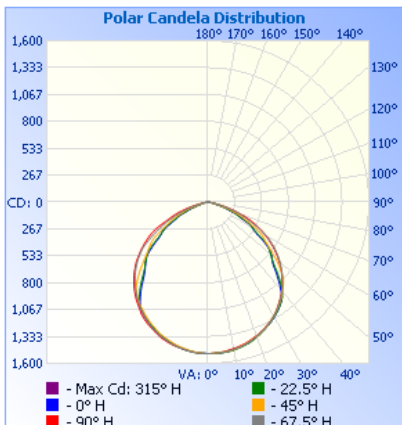


Features:

- Integral Cooling Fin Releases Heat Efficiently to Maintain the Life of LED's & LED Driver
- Corrosion Resistant Die Cast Aluminum Housing
- Tempered Glass Lens
- Photocontrol Can Be Installed Remotely
- Superior Architectural Powder Coat Finish
- Color Tunable: 3000K, 4000K, 5000K
- Operating Temperature: -40°F to 104°F
- Mount: 1/2" Bracket
- IP65 Wet Location Rated
- UL Listed
- DLC PRODUCT ID#: POXD9Z3Y
- 5 Year Warranty

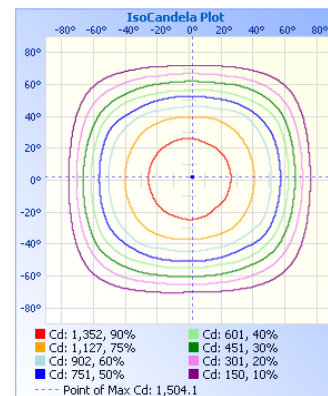
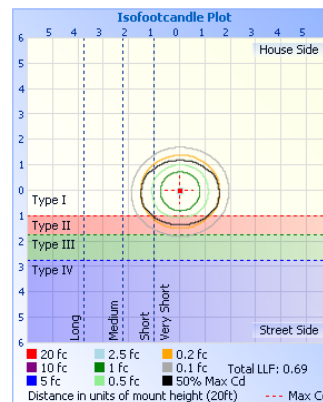
Part#	Housing Color	Wattage	Lumens	CCT	Voltage	Beam Angle	Lumens/Watt	DLC PRODUCT ID#
74512	White	30W	3,922@3K	3K/4K/5K	120V	114°	131lm/w @ 3K	POXD9Z3Y

PHOTOMETRY



Center Beam fc	Illuminance at a Distance	
	Beam Width	Beam Width
17.0ft	5.20 fc	42.9 ft 52.1 ft
34.0ft	1.30 fc	85.9 ft 104.2 ft
51.0ft	0.58 fc	128.8 ft 156.3 ft
68.0ft	0.32 fc	171.8 ft 208.4 ft
85.0ft	0.21 fc	214.7 ft 260.5 ft
102.0ft	0.14 fc	257.7 ft 312.6 ft

■ Vert. Spread: 103.3°
■ Horiz. Spread: 113.7°





LED Color Tunable Small Flood 30W, 120V, 3K/4K/5K Bracket Mount, White Morris CAT#: 74512

Technical Specifications:

Electrical:

Input Voltage: 120V
Current: .0.295A @ 120V
Frequency: 60Hz
Power Factor: ≥ 0.9
THD: 15.6% @ 120V

Product Parameters:

30 Watts
Efficacy: 131 lumens per watt
50,000+ LED Life Span
CCT: 3000K/4000K/5000K

Chromaticity Measurements:

Beam Angle: 114°
CRI: >70
R9: 0
DUV: 0.0006
Chromaticity (x,y): $x=0.4409$; $y=0.4069$
Chromaticity (u,v): $u=0.2519$; $v=0.5231$

Component Specifications:

LED: Philips 2835
Driver Voltage: 120V
Frequency: 50-60HZ

Dimming: N/A

Operating Temperature:

Minimum Starting: -40°F to 104°F

Construction:

Housing: Corrosion Resistant Die Cast Aluminum Housing

IP Rating: IP65 Wet Location

Lens Material: Tempered Glass

Mounting: 1/2" Bracket Mount

Listing:

cULus

DLC PRODUCT ID#: POXD9Z3Y

Warranty:

Morris Products carries a 5 year warranty from date of purchase against defects in materials and workmanship (assuming normal and proper usage).