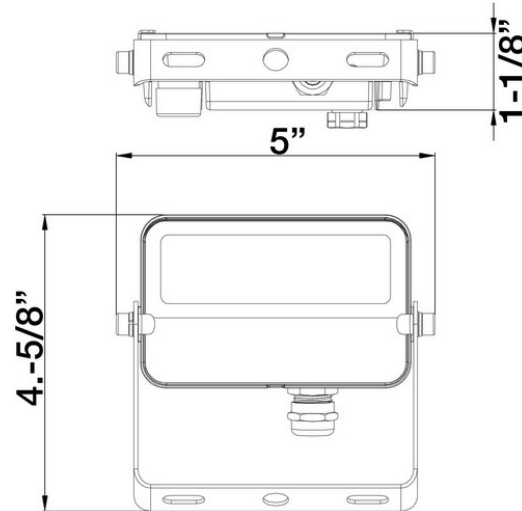




74502 - LED SMALL FLOOD

15W 120V 5000K BRACKET

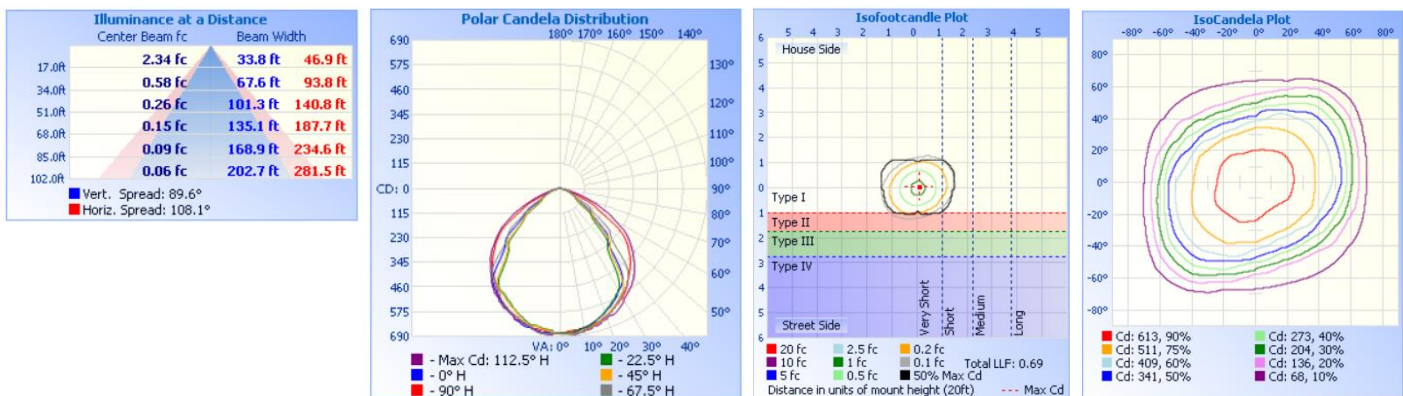


FEATURES:

- Philips 2835 LEDs
- Integral Cooling Fin Releases Heat Efficiently to Maintain the Life of LED's & LED Driver
- Corrosion Resistant Die Cast Aluminum Housing
- Tempered Glass Lens
- Superior Architectural Powder Coat Finish
- Color Temperature: 5000K
- Operating Temperature: -40°F to 104°F
- Mount: 1/2" Bracket
- IP65 Wet Location Rated
- UL Listed, DLC PRODUCT ID#: PGG4C3IM
- 5 Year Warranty

Part#	Housing Color	Wattage	Lumens	CCT	Voltage	Beam Angle	Lumens/Watt	DLC PRODUCT ID#
74502	Bronze	15W	1,624	5000K	120V	105°H x 99°V	108 lm/w	PGG4C3IM

PHOTOMETRY





74502 - LED SMALL FLOOD

15W 120V 5000K BRACKET

Technical Specifications:

Electrical:

Input Voltage: 120V
Current: 0.12A @ 120V
Frequency: 60Hz
Power Factor: ≥ 0.9
THD: 13.75% @ 120V

Product Parameters:

15 Watts
Efficacy: 108 lumens per watt
50,000+ LED Life Span
CCT: 5000K

Chromaticity Measurements:

Beam Angle: $105^{\circ}H \times 99^{\circ}V$
CRI: >70
R9: 0
DUV: -0.000626
Chromaticity (x,y): $x=0.4413 \ y=0.4071$
Chromaticity (u,v): $u'=0.2521 \ v'=0.5232$

Component Specifications:

LED: Philips 2835
Driver Voltage: 120V
Frequency: 50-60HZ

Dimming: N/A

Operating Temperature:

Minimum Starting: $-40^{\circ}F$ to $104^{\circ}F$

Construction:

Housing: Corrosion Resistant Die Cast Aluminum Housing

IP Rating: IP65 Wet Location

Lens Material: Tempered Glass

Mounting: 1/2" Bracket Mount

Listing:

cULus

DLC PRODUCT ID#: PGG4C3IM

Warranty:

Morris Products carries a 5 year warranty from date of purchase against defects in materials and workmanship (assuming normal and proper usage).