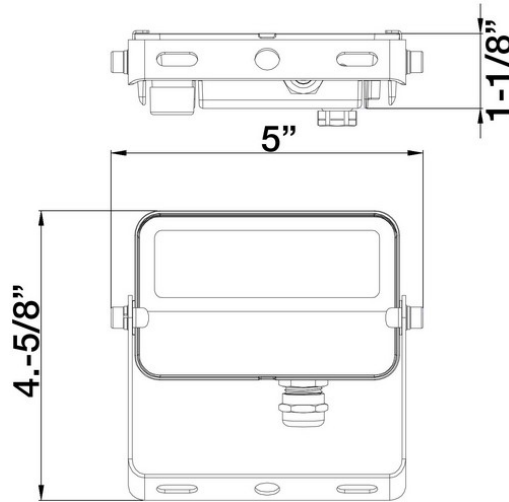




74501 - LED SMALL FLOOD

15W 120V 4000K BRACKET

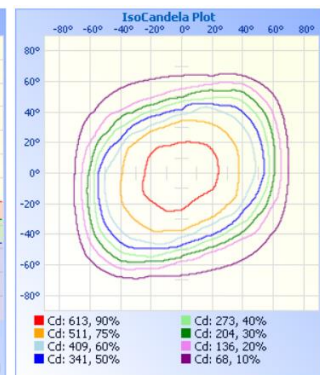
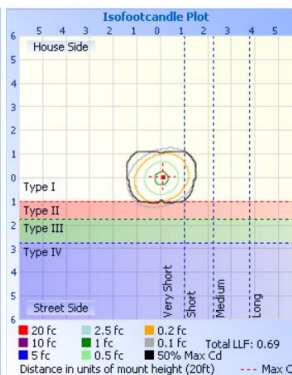
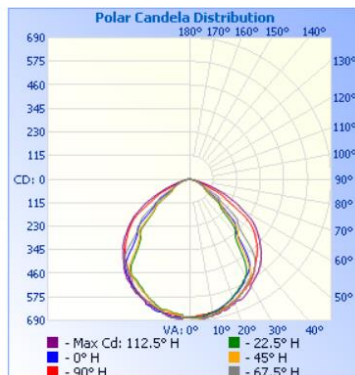
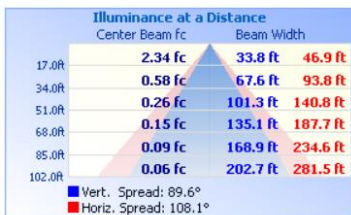


FEATURES:

- Philips 2835 LEDs
- Integral Cooling Fin Releases Heat Efficiently to Maintain the Life of LED's & LED Driver
- Corrosion Resistant Die Cast Aluminum Housing
- Tempered Glass Lens
- Superior Architectural Powder Coat Finish
- Color Temperature: 4000K
- Operating Temperature: -40°F to 104°F
- Mount: 1/2" Bracket
- IP65 Wet Location Rated
- UL Listed, DLC PRODUCT ID#: PPKKCWPD
- 5 Year Warranty

Part#	Housing Color	Wattage	Lumens	CCT	Voltage	Beam Angle	Lumens/Watt	DLC PRODUCT ID#
74501	Bronze	15W	1,559	4000K	120V	105°H x 99°V	104 lm/w	PPKKCWPD

PHOTOMETRY





74501 - LED SMALL FLOOD

15W 120V 4000K BRACKET

Technical Specifications:

Electrical:

Input Voltage: 120V
Current: 0.12A @ 120V
Frequency: 60Hz
Power Factor: ≥ 0.9
THD: 13.75% @ 120V

Product Parameters:

15 Watts
Efficacy: 104 lumens per watt
50,000+ LED Life Span
CCT: 4000K

Chromaticity Measurements:

Beam Angle: 105°H x 99°V
CRI: >70
R9: 0
DUV: -0.000626
Chromaticity (x,y): x=0.4413 y=0.4071
Chromaticity (u,v): u'=0.2521 v'=0.5232

Component Specifications:

LED: Philips 2835
Driver Voltage: 120V
Frequency: 50-60HZ

Dimming: N/A

Operating Temperature:

Minimum Starting: -40°F to 104°F

Construction:

Housing: Corrosion Resistant Die Cast Aluminum Housing

IP Rating: IP65 Wet Location

Lens Material: Tempered Glass

Mounting: 1/2" Bracket Mount

Listing:

cULus

DLC PRODUCT ID#: PPKKCWPD

Warranty:

Morris Products carries a 5 year warranty from date of purchase against defects in materials and workmanship (assuming normal and proper usage).