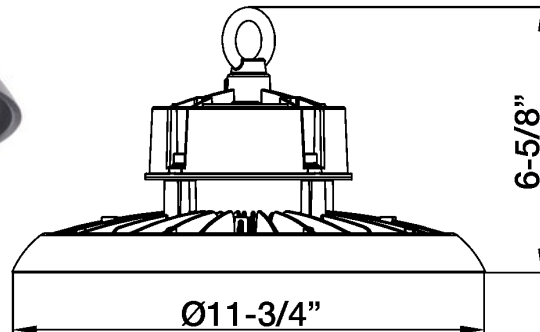




74297 - SPEC GRADE UFO HIGH BAY

120-277V 3K/4K/5K 100/120/150W

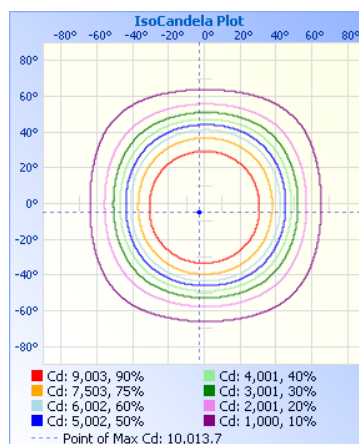
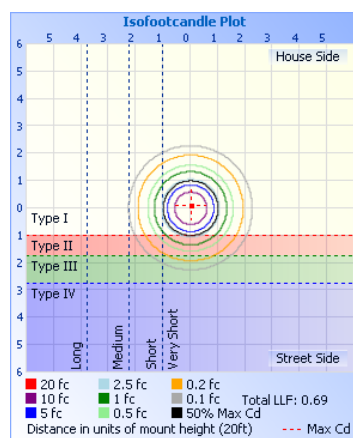
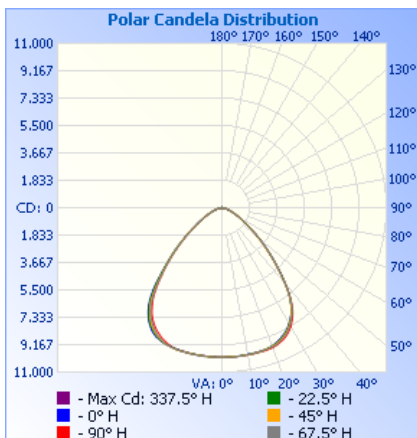


FEATURES:

- Wattage Selectable: 100W, 120W, 150W
- Color Selectable: 3000K, 4000K, 5000K
- Corrosion Resistant Die Cast Aluminum Housing
- Integral Cooling Fin Releases Heat Efficiently to maintain the life of the LEDs/Driver
- Stainless Steel Hardware
- 2KV surge protector inside of power supply
- 60" Wire Whip for Easy Installation
- IP65 rated
- Certification: cULus
- Environment: Suitable for Wet Locations
- 5 Year Limited Warranty

Part#	Wattage	Voltage	Lumens	CCT	CRI	Dimming	Light Pattern	Lumens/Watt	DLC Product ID#:
74297	100W/120W/150W	120-277V	21,280	3K-5K	82	1-10V	90°	142lm/w @150W	PDFX0CL8

PHOTOMETRY



Height	Illuminance at a Distance	
	Center Beam fc	Beam Width
17.0ft	34.6 fc	33.9 ft 33.4 ft
34.0ft	8.6 fc	67.9 ft 66.8 ft
51.0ft	3.8 fc	101.8 ft 100.1 ft
68.0ft	2.2 fc	135.8 ft 133.5 ft
85.0ft	1.4 fc	169.7 ft 166.9 ft
102.0ft	1.0 fc	203.7 ft 200.3 ft

■ Vert. Spread: 89.9°
■ Horiz. Spread: 88.9°



74297 - SPEC GRADE UFO HIGH BAY

120-277V 3K/4K/5K 100/120/150W

Technical Specifications:

Electrical:

Input Voltage: 120 - 277

Current: 1.27A @ 120V

Frequency: 50/60Hz

Power Factor: ≥ 0.9

THD: $>20\%$

Product Parameters:

100/120/150W Watts

Lumens: 21,280

Efficacy: 142 Lumens Per Watt

50,000+ L70 Life Span

CCT: 3K-5K (Cool White)

Chromaticity Measurements:

Beam Angle: 120°

CRI: 82

R9: 3

DUV: +0.0018

Chromaticity (x,y): $x=0.3825$ $y=0.3819$

Chromaticity: $u(u')=0.2244$ $v'=0.5042$

Component Specifications:

LED: Seoul 2835

Driver: 120V 50/60Hz

Driver Output Volts: 150V/DC

Driver Output Amps: 1.0A

2KV Surge Protection

Dimming:

1-10V / PMW

Operating Temperature:

Minimum Starting -31°F - 122°F

Construction:

Housing: Die Cast Aluminum Housing

Powder Coated

IP Rating: IP65 Damp Location Rated

Lens Material: PC

Mounting: Ceiling Mount

Listings:

cULus

DLC PRODUCT ID#: PDFX0CL8

Accessories (Sold Separately)

CAT#: 74110B - Black U-Bracket - 100W-150W Fixtures CAT#:

74112B - Black U-Bracket - 200W-240W Fixtures CAT#:

74135C - Wire Guard - 100W-150W Fixtures

CAT#: 74137C - Wire Guard - 200W-240W Fixtures

CAT#: 74187B - Microwave Motion Sensor - 120-277V Fixtures

CAT#: 74186B - PIR Sensor - 120-277V Fixtures

CAT#: 74188B - Remote Control - PIR and Microwave Motion Sensors

CAT#: 74196 - Emergency Battery Backup - 120-277V Only

CAT#: 74119B - 90° Aluminum Reflector - 100W-150W Fixtures

CAT#: 74121B - 90° Aluminum Reflector - 200W-240W Fixtures

CAT#: 74123B - 90° PC reflector - 100W-150W Fixtures CAT#:

74125B - 90° PC reflector - 200W-240W Fixtures CAT#:

74149B - 90° PC bottom cover - 100W-150W Fixtures CAT#:

74152B - 90° PC bottom cover - 200W-240W Fixtures CAT#:

74143 - 1/2" - 3/4" NPT conduit adaptor

Warranty:

Morris Products carries a 5 year warranty from date of purchase against defects in materials and workmanship (assuming normal and proper usage).