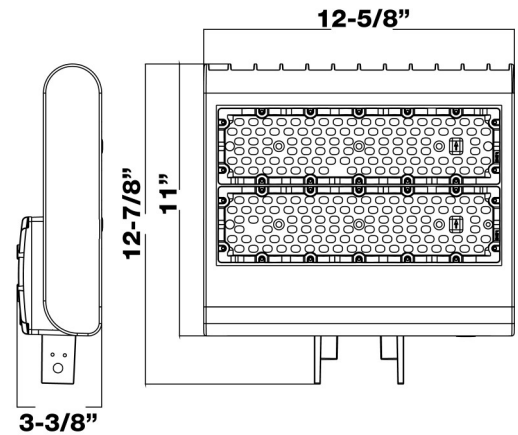




FlatPanel Gen 2

100W 120-277V

5000K Type III



Features:

White Diecast Aluminum Housing

Heat Resistant Directed Optics Frosted Polycarbonate Lens

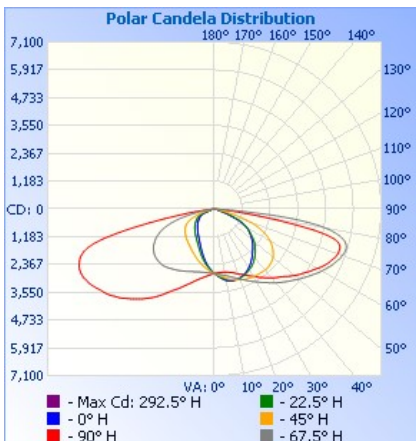
Excellent Heat Dissipation - Maximum Life Expectancy

LumiLEDs

Note: Fixture does not include mount - Pole Arm, Slipfitter, Trunnion Mount sold separately

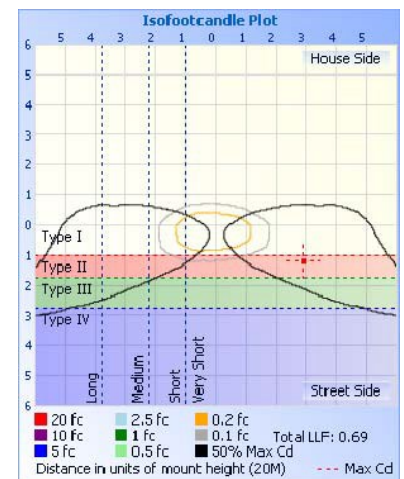
Part#	Wattage	Volts	Lumens	CCT	CRI	Dimming	Light Pattern	Lumens/Watt	
74004	100	120-277	15,575	5000K	70	0-10V/PWM/VR	Type III	151	

PHOTOMETRY



	Center Beam fc	Beam Width	
3.33M	22.9 fc	8.33 M	3.00 M
6.67M	5.74 fc	16.65 M	5.99 M
10.00M	2.55 fc	24.97 M	8.98 M
13.33M	1.43 fc	33.29 M	11.98 M
16.67M	0.92 fc	41.62 M	14.97 M
20.00M	0.64 fc	49.95 M	17.97 M

■ Vert. Spread: 102.6°
■ Horiz. Spread: 48.4°





FlatPanel Gen 2

100W 120-277V

5000K Type III

Technical Specifications:

Electrical:

Input Voltage: 120-277
Current: .8317A@120V; .3917A@277V
Frequency: 50/60Hz
Power Factor: \geq .9
THD: 6.63%@120V; 11.09%@277V

Product Parameters:

Watts: 100
Lumens: 15,575
Efficacy: 151 lumens per watt
50,000+ Hour L70 Life Span
CCT: 5000K (Cool White)

Chromacity Measurements:

Beam Angle: Type III
BUG Rating: B3-U0-G3
CRI: $>$ 70
R9: 0
DUV: .0028
Chromaticity (x,y): x=.3503; y=.3613
Chromaticity (u,v): u=.2112; v=.4901

Component Specifications:

LED: LumiLEDs 3030 2D
Driver: 100-277V 50-60HZ
Driver Output Volts: 28-40
Driver Output Amps: 2000mA
10KV Surge Protection

Dimming: 0-10V/PWM/VR

Operating Temperature:

Minimum Starting -40°F - 131°F

Construction:

Housing: ADC12 Aluminum Alloy
Powder Coated - White
IP Rating: IP65 suitable for wet locations

Lens Material: Heat Resistant Polycarbonate Lens
UV Resistant
Fire Resistant

Mounting: 2 Pc Mount Design for simple 1 person installation

Photo Control: Can be installed Remotely

Listings: UL Listed: E474299

Carton Qty; 1
Weight: 15 lb
EPA Rating: 1.227ft²

Accessories:

Pole Arm Mount: Cat# 74033
Slipfitter Mount: Cat# 74035
Trunnion Mount: Cat# 74037
Round To Square Pole Adaptor: Cat# 74041
Microwave Motion and Light Sensor : Cat# 74042

Warranty:

Morris Products carries a 5 year warranty from date of purchase against defects in materials and workmanship (assuming normal and proper usage).