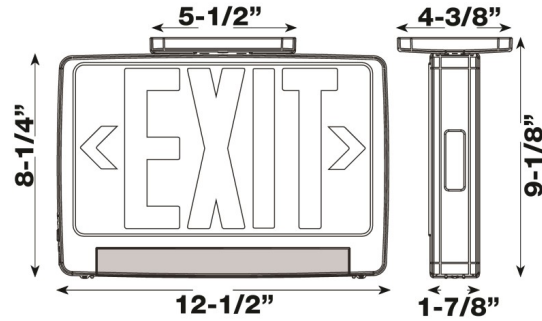




73372 - LIGHT PIPE LED COMBO EXIT/EMERGENCY LIGHT

120/277V



FEATURES:

- LED Combo Exit/Emergency light - Light Bar Design
- Remote Capable - Up to 3 Watts - 4.8V remote lamp
- Dual 120/277 Voltage
- 4.5W Light Output - (36 LEDs X .125w Per LED)
- Chrome Reflector & Acrylic UV Stabilized Lens
- Charge Rate/Power "On" LED Indicator Light and sealed push-to-test switch for mandated code compliance testing
- 4.8V 900mAH maintenance-free, rechargeable Ni-Cad battery
- 3 Year Warranty
- Red LEDs (lettering)
- Internal Solid-State Transfer Switch automatically connects the internal battery to LED board for minimum 90-minute emergency illumination
- Fully Automatic Solid-State, Dual-rate charger initiates battery charging to recharge a discharged battery in 24 hours
- Flame Retardant, UV-Stabilized High Impact Housing
- Top and side KO's provided for conduit feed applications
- Operating Temperature: 32°F to 122°F
- Meets UL924 for Damp Locations, NFPA 101 Life Safety Code, NED, OSHA
- Certified to CED under Title 24 Regulations

Part#	Housing Color	LED Color	Lumens	Voltage
73372	White	Red	184	120/277V



73372 - LIGHT PIPE LED COMBO EXIT/EMERGENCY LIGHT 120/277V

Technical Specifications:

Electrical:

Input Voltage: 120/277

Warranty:

Morris Products carries a 3 year warranty from date of purchase against defects in materials and workmanship (assuming normal and proper usage).

Product Parameters:

Lumens: 184

Operating Temperature:

Minimum Starting 32°F to 122°F

Construction:

Housing: Flame Retardant, UV-Stabilized High Impact Housing

Mounting:

EZ-snap mounting canopy included for top or end mount

Universal knockout pattern on back plate for wall mount

Listings:

UL Listed 924 for Damp locations

Accessories:

73305 - Single Head Weatherproof Remote Head

73306 - Double Head Weatherproof Remote Head

73095 - Wire Guard

Carton Qty: 1