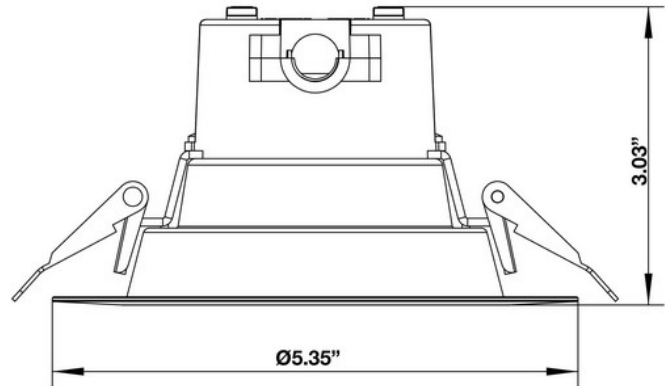




72769 - 4" NEW CONSTRUCTION DOWNLIGHT

120-277V 2.7K-5K 7W/10W/13W



FEATURES:

- Perfect for Residential or Commercial Applications
- Aluminum Housing/Trim - Paintable
- Smooth Trim
- Torsion Spring Brackets for Mounting to Sheetrock
- 0-10V Dimmable
- Operating Temperature: -31°F to 122°F
- 18" Greenfield Whip & Connector
- cULus and Energy Star Listed
- IP44 Damp Location Rated
- 5 Year Warranty

Part#	Housing Color	Wattage	Lumens	CCT	Voltage	Input Current	Lumens/Watt	Energy Star
72769	White	7W, 10W, 13W	1184 @13W	2.7K-5K	120-277V	.11A	91lm/w	Yes



72769 - 4" NEW CONSTRUCTION DOWNLIGHT

120-277V 2.7K-5K 7W/10W/13W

TECHNICAL SPECIFICATIONS:

Electrical:

Input Voltage: 120-277V

Current: .11A @ 120V

Frequency: 50-60Hz

Power Factor: >0.9

Product Parameters:

Wattage: 7W, 10W, 13W

Efficacy: 91 lm/watt

CCT: 2.7K-5K

Chromacity Measurements:

Beam Angle: 140°

CRI: 93

R9: 79

Component Specifications:

LED: SMD2835

Driver: 120-277V

50-60HZ

Dimming: Yes

Operating Temperature:

Minimum Starting -31° - 122° F

Construction:

Housing: Steel Housing/Trim - White Finish

IP Rating: IP44 Indoor Wet Location Rated

Lens Material: Polycarbonate Lens

Mounting: Ceiling Mount (Drywall / Sheetrock)

Listings: cULus, Energy Star

Warranty:

Morris Products carries a 5 year warranty from date of purchase against defects in materials and workmanship (assuming normal and proper usage).

PHOTOMETRICS:

