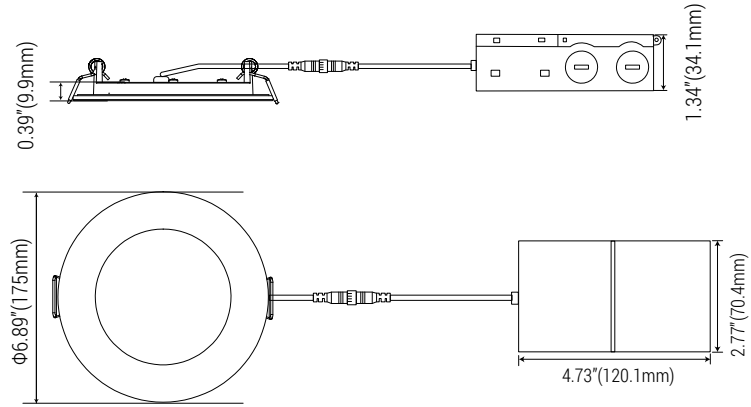




72682B - 6" WAFER DOWNLIGHT

COLOR SELECTABLE SMOOTH 12W



FEATURES:

- 5 CCT COLOR SELECTABLE: 2700K, 3000K, 3500K, 4000K, 5000K
- 120° beam angle
- cETLus, Energy Star Listed
- IC rated for direct contact with insulation
- Wet-location rated, ideal for bathrooms, laundry, porches and garage work rooms
- No existing recessed housing or junction box required. Suitable for most new constructions
- With Smooth Trim
- Title 24/JA8 Compliant for High Efficacy LED Lighting in California

Part#	Housing Color	Size	Wattage	Lumens	CCT	Voltage	Replaces incandescent	CRI
72781B	SMOOTH	3"	6W	380	2700/3000/ 3500/4000/ 5000K	120V	50W	80
72680B	SMOOTH	4"	9W	675	2700/3000/ 3500/4000/ 5000K	120V	50W	80
72682B	SMOOTH	6"	12W	1000	2700/3000/ 3500/4000/ 5000K	120V	75W	80
72783B	SMOOTH	8"	18W	1440	2700/3000/ 3500/4000/ 5000K	120V	100W	80
72784B	BAFFLE	4"	9W	675	2700/3000/ 3500/4000/ 5000K	120V	50W	80
72785B	BAFFLE	6"	12W	1000	2700/3000/ 3500/4000/ 5000K	120V	75W	80



72682B - 6" WAFER DOWNLIGHT

COLOR SELECTABLE SMOOTH 12W

TECHNICAL SPECIFICATIONS:

VOLTAGE: 120V

POWER FREQUENCY: 60 Hz

POWER FACTOR: > 0.9

5 CCT: 2700K/3000K/3500K/4000K/5000K

CRI: 90

BEAM ANGLE: 120 Degrees

LIFESPAN: >50,000 Hours

OPERATING TEMP: Minimum Starting -4° - 113° F

DIMMABLE: Compatible with most triac dimmers to give user a smooth 100%-10% dimming to choose the desired brightness.

RATING: Suitable for wet locations - IP43

WARRANTY:

Morris Products carries a 5 year warranty from date of purchase against defects in materials and workmanship (assuming normal and proper usage).

CONSTRUCTION:

HOUSING: PS driver housing and Aluminum reflector with architectural white finish

IP RATING: IP43 Wet Indoor Location Rated

LENS MATERIAL: Adjustable Frosted Polystyrene Lens

MOUNTING: No existing recessed housing or junction box required. Suitable for most new constructions.

Install J-Box in ceiling beam, and insert light right into drywall opening.

LISTINGS: cETLus, Energy Star, Title 24/JA8 Compliant

CARTON QTY: 24

N.W. : 9.43 KGS

G.W. : 12.0 KGS

CBM : 0.053

Easily flip the switch for desired CCT



Product view



Beam Angle 120°

