



# 72563B - LED ROUND 2 HEAD SECURITY LIGHT W/ MOTION SENSOR

24W 120V 3K/4K/5K WHITE

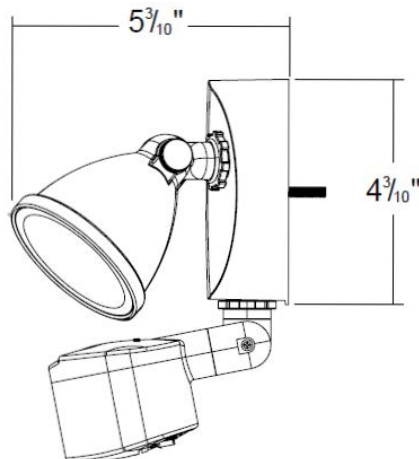
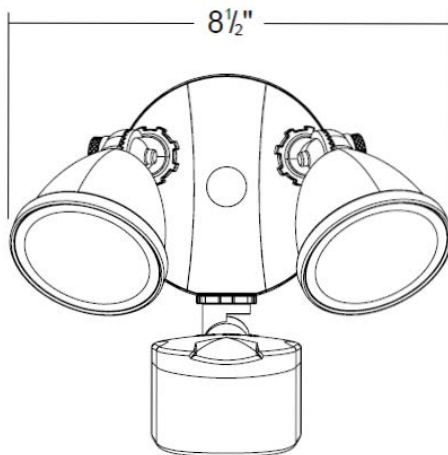


## FEATURES:

- Color selectable: 3000K/4000K/5000K
- Die cast aluminum housing
- Corrosion resistant polyester powder coat finish
- Tempered glass - shock & heat resistant
- 2.5kV Surge Protection
- Easy Install: Crossbar installation
- IP65 Wet Location Rated
- Motion Sensor : 5 ft. to 60 ft. with max. 180° detection range

Part#	Housing Color	Wattage	Max Lumens	CCT	Voltage	Dimming	Operating Temp	Lumens/Watt
72563B	White	24W	2,500	3/4/5K	120V	Triac	-40~40°C	100

## PRODUCT DIMENSIONS:





# 72563B - LED ROUND 2 HEAD SECURITY LIGHT W/ MOTION SENSOR

24W 120V 3K/4K/5K

**TECHNICAL SPECIFICATIONS:**

**ELECTRICAL:**

Input Voltage: 120V

Current: 0.36A

Frequency: 60Hz

Power Factor: 0.56

**PRODUCT PARAMETERS:**

24 Watts

Lumens: 2,100/2,500/2,400

Efficacy: 100 lumens per watt

50,000+ LED Life Span

Color Selectable:

3000K/4000K/5000K

**CHROMACITY MEASUREMENTS:**

CRI: 80

Beam Angle: 110°/head

**COMPONENT SPECIFICATIONS:**

Surge Protection: 2.5 kV

Dimming: Triac

Operating temperature: -40°C TO 40°C

**CONSTRUCTION:**

Housing: Die cast aluminum housing, corrosion resistant powder coated finish - White

IP Rating: IP65 Wet Location Rated

Lens Material: Tempered glass, heat and shock resistant

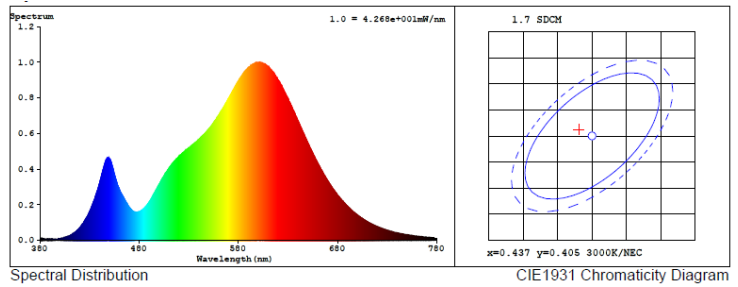
Mounting: Crossbar installation

**LISTINGS:** cULus

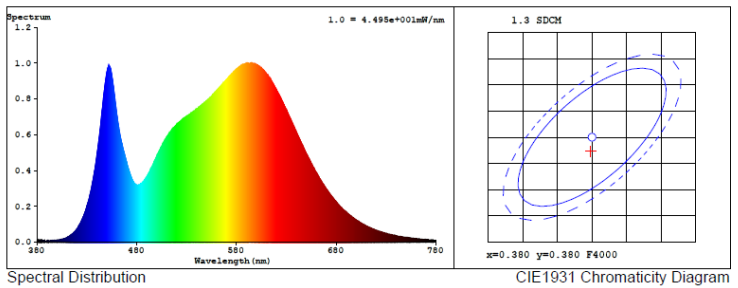
**WARRANTY:**

Morris Products carries a 5 year warranty from date of purchase against defects in materials and workmanship (assuming normal and proper usage)

**3000K**



**4000K**



**5000K**

