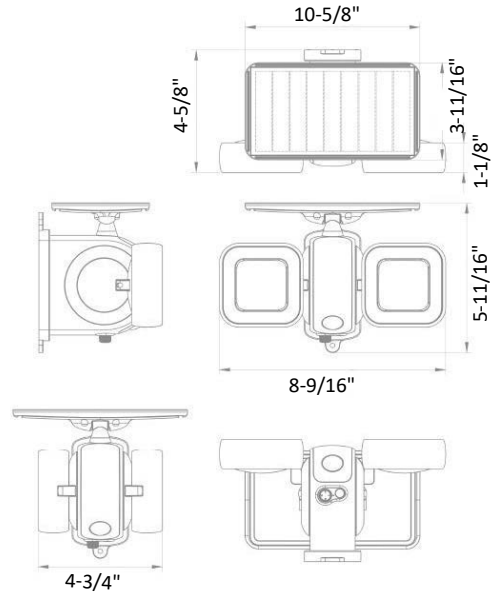




# John E/5 Solar Security Light

## 10W, 4000K, White

### MORRIS CAT#: 72549



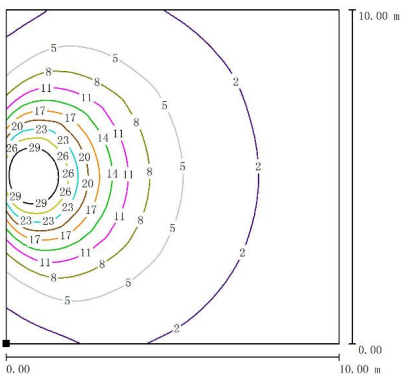
#### Features:

- High sensitivity PIR motion sensor
- 8 Hour Charge Time
- 3-5 Day Run Time
- Charging Temperature: 32°F -113°F  
Discharging Temperature: -4°F-140°F
- Long Life Lithium-Ion Battery
- Power Source: Epoxy Mono-Crystalline Solar Panel - 5W
- IP65 Wet Location Rated
- Easy Installation
- 2 Year Warranty

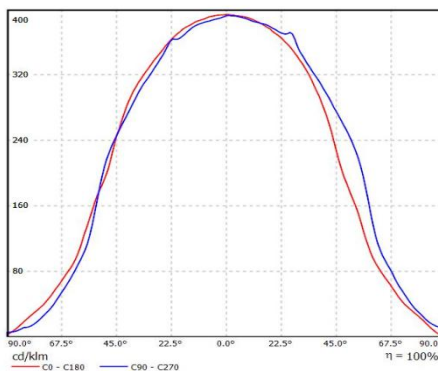
Part#	CCT	Lumens	Light Pattern	Dimming
72549	4000K	1,000	120°	N/A

#### PHOTOMETRY

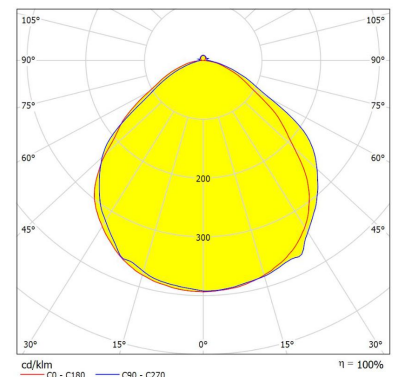
Road Simulated Diagram



Illumination Curve



Luminance Distribution





# John E/5 Solar Security Light

## 10W, 4000K, White

### MORRIS CAT#: 72549

#### Technical Specifications:

##### **Electrical:**

Power: Mono-Crystalline, 2W

Operating Temperature: -4°F to 140°F

Charging Temperature: 32°F -113°F

Discharging Temperature: -4°F-140°F

##### **Product Parameters:**

Wattage: 10W

Solar Panel: 2W

Efficacy: 190lm/w

CCT: 4000K (Cool White)

##### **Sensor Specifications:**

Beam Angle: 120°

Sensing Distance: 20'

##### **Construction:**

Housing: Thermal Conductive Plastic

IP Rating: IP65 Wet Location Rated

Mounting: Wall Mount

Carton Qty: 1

##### **Component Specifications:**

LED: SMD 2835

Comes with Li-ion Battery

Capacity: 3.7V/2000mAH (7.4WH)

Charging/Discharging Temp:

32-113°F / -4°-140°F

Charging Time: 8 hours

Ra 80+

Non-Dimmable

##### **Warranty:**

Morris Products carries a 2 year warranty from date of purchase against defects in materials and workmanship (assuming normal and proper usage).