

WARNING

RISK OF FIRE, ELECTRIC SHOCK, INJURY OR PROPERTY DAMAGE.

- Risk of electric shock--Disconnect power to equipment before installing or servicing. This equipment must be installed according to all applicable codes & ordinances.
- Installation and service of this equipment must be performed by qualified service personnel.
- Read these instructions before installing, servicing or maintaining this equipment.
- Save these instructions for maintaining and servicing.
- The installer must ensure that the foundation is stable and can support the luminaire's weight.
- The Installer must use proper means to secure the luminaire to the ground.

CAUTION

- Edges may cut--wear gloves while handling or servicing this equipment.
- Inspect equipment for damage from shipping and handling.
- Recommended cleaning substances:
- Wipe off dust with a dry, soft cloth. Remove greasy spots etc. with a soft cloth dampened in lukewarm water (<math><122^{\circ}</math> F/ 50° C) with a mild detergent.
- Never use detergents containing abrasives and solvents.
- Warning: Scouring powder and similar substances will scratch surfaces.

LUMINAIRE PREPARATION

Remove the luminaire (Fig 1) and accessories (Fig 2) from the carton and inspect luminaire for damage. Do not install a damaged luminaire.

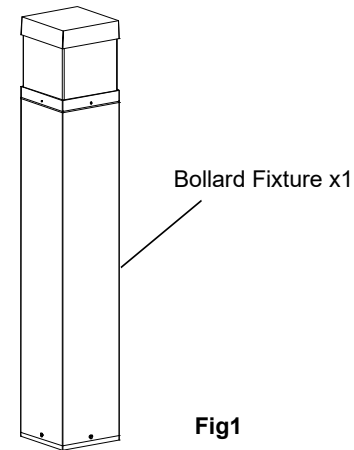


Fig1

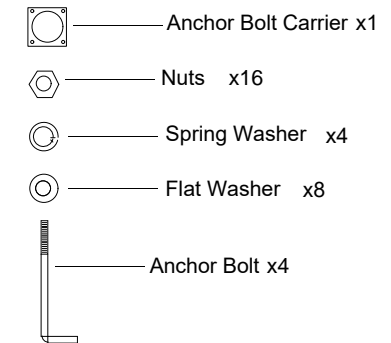


Fig2

INSTALLING BOLLARD

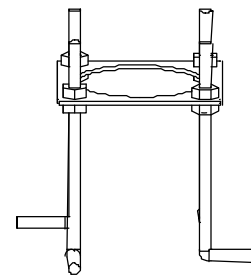


Fig3

- Prepare site. Get the anchor bolt carrier assembled as Fig 3 and use it to determine placement of anchor bolts in concrete.
- Ensure that concrete base is suitable for the bollard load.
- Install three anchor bolts into concrete as per attached drawing, having at least 1-1/2~2" protruding from concrete with threads free and clear of debris and dirt. (Fig4)

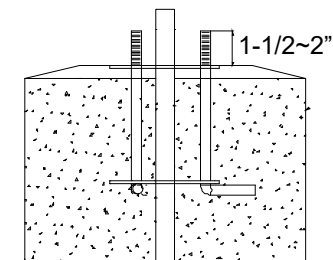
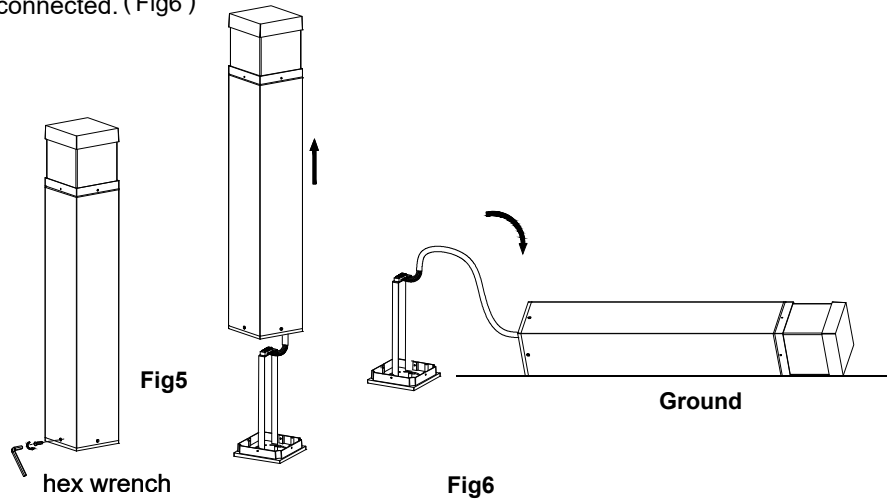
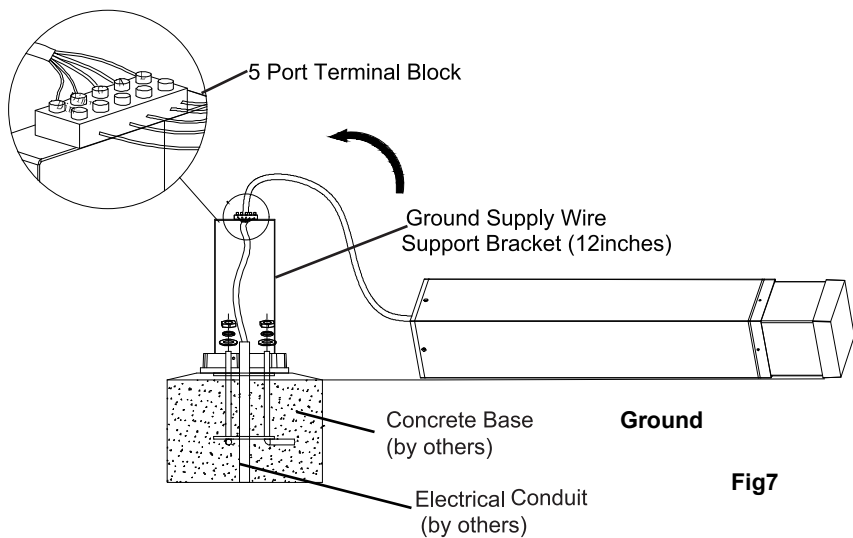


Fig4

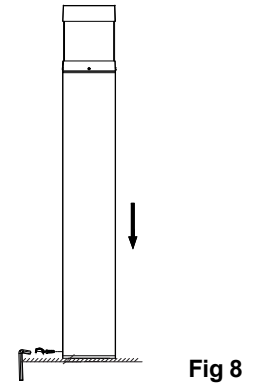
- Dis-assemble the fixture by loosening the set screws x3 with hex wrench. (Fig5)
- Lay the fixture down by the side of the installed anchor bolts. Keep the wires connected. (Fig6)



- Place bollard base plate over anchor bolts and tighten nuts securing the base plate to the foundation. (Fig7)
- As the wires shown on Fig7 will not be disconnected during installation, so please double check to make sure they are in good connection after the base installation.

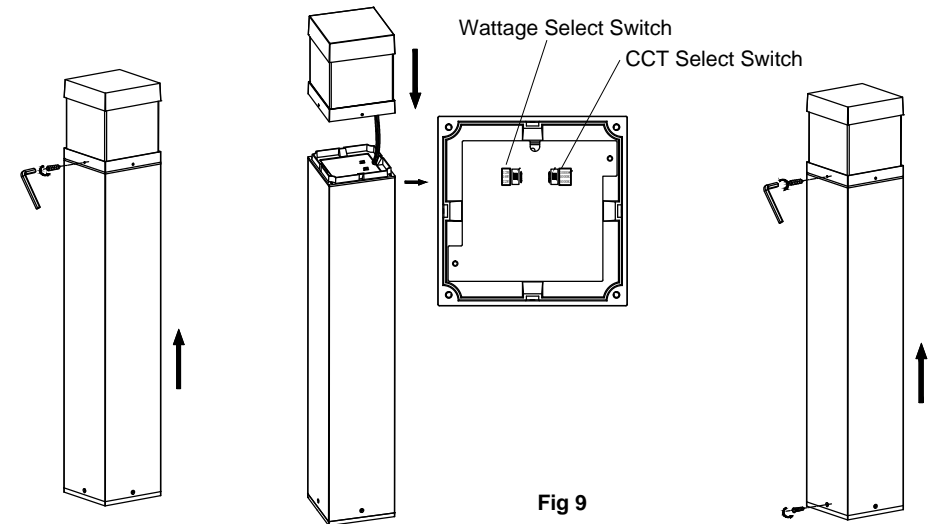


- Put back the fixture body, and tighten the set screws x3 with hex wrench. (Fig8)



- 3 steps to set CCT and Wattage (Fig9)

- #1: Use the hex wrench to open the bollard head
 - #2: Select the desired CCT and Wattage by the switches
 - #3: Install the bollard head
- Note: Default Setting—22W, 5000K



WIRING DIRGRAM

