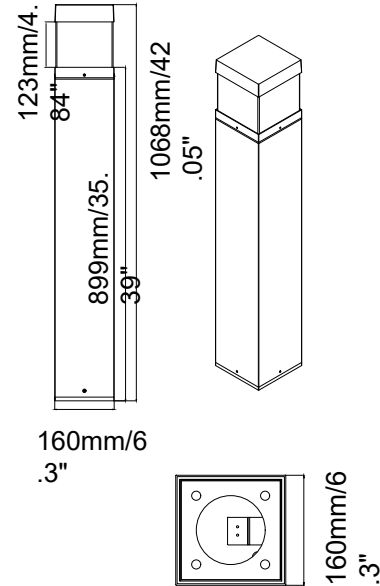




72302 - LED SQUARE BOLLARD

120-277V 3/4/5K 12/16/22W

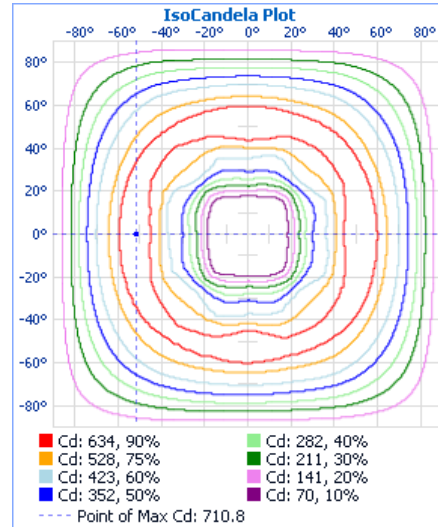
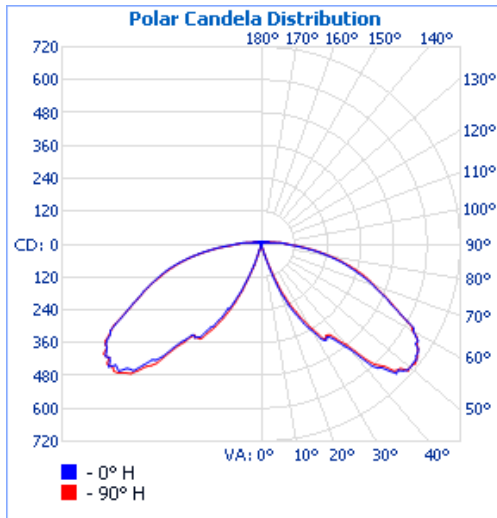


FEATURES:

- Anti-UV Lens
- Includes Base and Top
- Wattage & CCT Tunable
- Corrosion Resistant Aluminum Housing
- 5 Year Limited Warranty
- IP65 rated
- Certification: cULus, DLC
- Environment: Suitable for Wet Locations
- Square Top & Base Included

Part#	Input/Wattage	Volts	Lumens	CCT	CRI	Dimming	Light Pattern	Lumens/Watt	DLC PRODUCT ID#:
72302	12/16/22W	120-277	2,747	3K/4K/5K	≥83	N/A	Outdoor	125@22W	P30QI6CK

PHOTOMETRY





72302 - LED SQUARE BOLLARD

120-277V 3/4/5K 12/16/22W

Technical Specifications:

Electrical:

Input Voltage: 120V-277V

Current: 18A@120V

Frequency: 50/60Hz

Power Factor: \geq .98

THD: >20%

Product Parameters:

Input Watts: 12W/16W/22W

Lumens: 2,747

Efficacy: 125 lumens per watt

30,000+ Hour L70 Life Span

CCT: 3K/4K/5K

Chromaticity Measurements:

Beam Angle: 60°

CRI: \geq 83

R9: 14

Component Specifications:

LED: SMD 2835

120-277V, 50-60Hz

Dimming: N/A

Operating Temperature:

Minimum Starting: -40°F~122°F

Construction:

Housing: Corrosion Resistent Aluminum

Alloy Powder Coated

IP Rating: IP65 suitable for wet locations

Lens Material: Polycarbonate

Mounting: Outdoor

Listings: cULus, DLC

Warranty:

Morris Products carries a 5 year warranty from date of purchase against defects in materials and workmanship (assuming normal and proper usage).