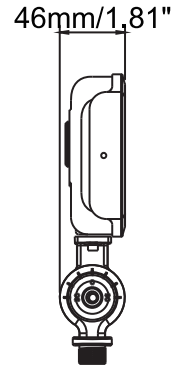
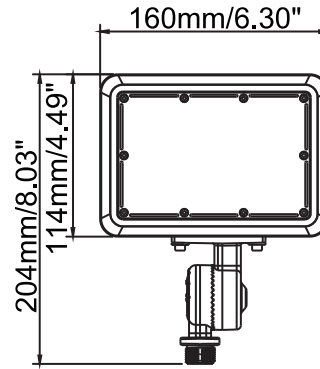




# 71822B - LED SMALL FLOOD

120-277V 30W 3K/4K/5K WHITE



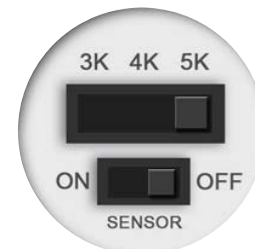
## FEATURES:

- Color Selectable: 3000K, 4000K, 5000K
- Input Voltage: 120-277VAC
- Corrosion Resistant Die Cast Aluminum Housing
- Transparent PC Lens
- On/Off Photocontrol Included
- \*Photocontrol included with on/off switch
- 0-10V Dimmable
- Mount: 1/2" Knuckle installed w/ Yoke Mount included in box
- IP65 Wet Location Rated
- 50,000+ Hour LED Life Expectancy
- Listings: cULus, DLC PRODUCT ID#: S-2BCA3W
- 5 Year Warranty

\*The ON/OFF photocell is pre-installed in the fixture and the default switch setting is ON. The photocell must be turned OFF for the fixture to operate when there is ambient or bright light.

Part#	Wattage	Voltage	Lumens	CCT	CRI	Dimming	Light Pattern	Lumens/Watt	DLC PRODUCT ID#:
71532B	30W	120-277V	4,444@4K	3K;4K;5K	>70	0-10V	7H7V	148	S-2BCA3W

LUMEN OUTPUT				
	CCT			
	3000K	4000K	5000K	
WATTS	30	410	444	4320



DIP Switch for CCT & Photocell



# 71822B - LED SMALL FLOOD

120-277V 30W 3K/4K/5K WHITE

## Technical Specifications:

### **Electrical:**

Input Voltage: 120-277

Current: .67A @ 120V

Frequency: 50/60Hz

Power Factor:  $\geq 0.93$

THD:  $>20\%$  @ 120V

### **Product Parameters:**

30 Watts

Lumens: 4,110@3K, 4,444@4K, 4,320@5K

Efficacy: 148 Lumens Per Watt

50,000+ L70 Life Span

CCT: 3K (WW); 4K (NW); 5K (CW)

### **Chromaticity Measurements:**

Beam Angle: 7H7V

CRI:  $>70$

R9: 11

DUV: -0.00012

### **Component Specifications:**

LED: Seoul 2835

Driver: 120-277V 50/60Hz

Driver Output Volts: 150V/DC

Driver Output Amps: 1.0A

2KV Surge Protection

### **Dimming:**

0-10V

### **Operating Temperature:**

Minimum Starting -40°F - 113°F

### **Construction:**

Housing: Die Cast Aluminum Housing

Powder Coated

IP Rating: IP65 Wet Location Rated

Lens Material: PC

Mounting: 1/2" Knuckle, Yoke

Listings:

cULus

DLC PRODUCT ID#: S-2BCA3W

Warranty:

Morris Products carries a 5 year warranty from date of purchase against defects in materials and workmanship (assuming normal and proper usage).