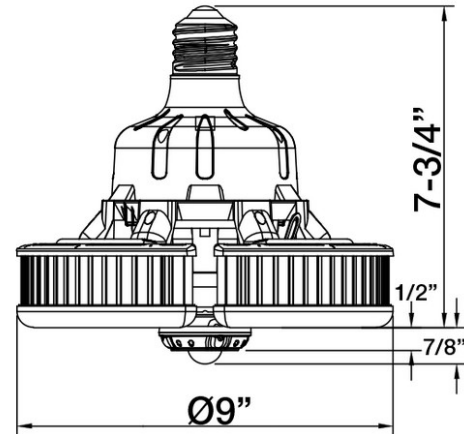




# 71749A - LED RETROFIT HIGH BAY CORN LAMP

120-277V 120W 5000K

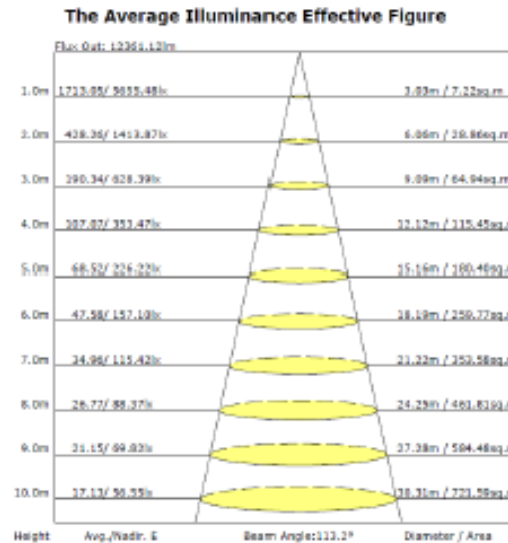
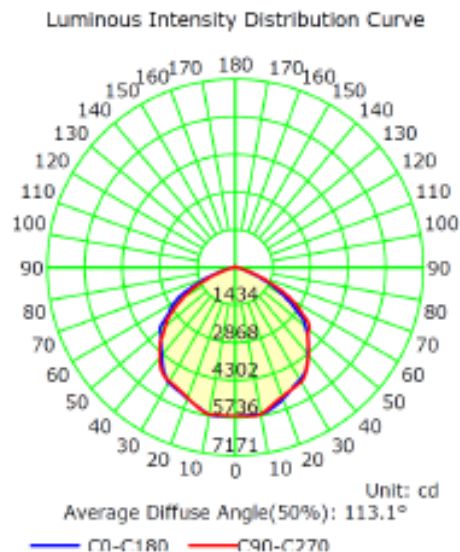


## FEATURES:

- Big Heat Sink with Good Heat Dissipation
- Internal Driver
- Long Life High Efficiency LEDs
- Direct replacement for Metal Halide fixtures
- E39 Mogul Base
- IP65 Waterproof Rating
- DLC PRODUCT ID#: S-G6DI8A

Part#	Housing Color	Wattage	Lumens	CCT	Voltage	Light Pattern	BUG Rating	Lumens/Watt	DLC PRODUCT ID#
71749A	White	120W	16,100	5000K	120-277	113°	B2-U3-G3	134 lm/w	S-G6DI8A

## PHOTOMETRY





# 71749A - LED RETROFIT HIGH BAY CORN LAMP

120-277V 120W 5000K

## Technical Specifications:

### **Electrical:**

Input Voltage: 120 - 277

Current: 1.01A @ 120V

Frequency: 60Hz

Power Factor:  $\geq 0.9$

THD:  $\leq 20\%$

### **Product Parameters:**

120 Watts

Efficacy: 134 lumens per watt

50,000+ LED Life Span=====

CCT: 5000k (Cool White)

### **Chromacity Measurements:**

Beam Angle: 113°

BUG Rating: B2-U3-G3

CRI:  $>80$

### **Component Specifications:**

LED: SMD 2835

Driver: 100-277V 50-60HZ

### **Dimming:**

Yes

### **Operating Temperature:**

Minimum Starting -40°F - 122°F

### **Construction:**

Housing: Polycarbonate & Aluminum Alloy

Powder Coated

IP Rating: IP65 Waterproof Rating

Lens Material: High Light Transmittance Polycarbonate

Mounting: E39 Screw In Base

For Metal Halide Application: Must Disconnect Ballast

Can be used in enclosure

### **Listings:**

cULus

DLC PRODUCT ID#: S-G6DI8A

### **Warranty:**

Morris Products carries a 5 year warranty from date of purchase against defects in materials and workmanship (assuming normal and proper usage).