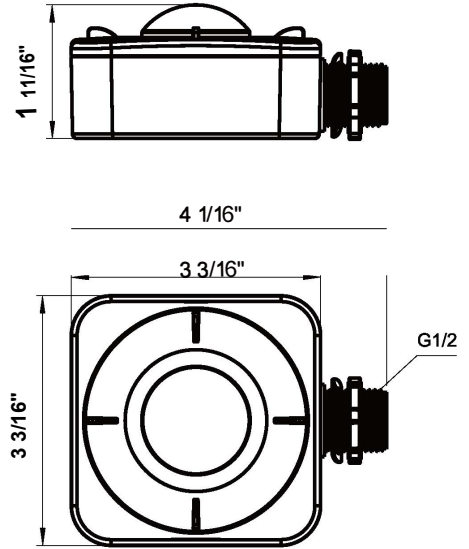




71746A - INFRARED FIXTURE INTEGRATED SENSOR

FOR GEN 5 LINEAR HIGH BAY

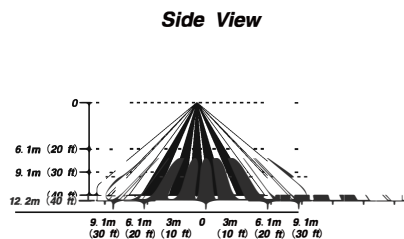
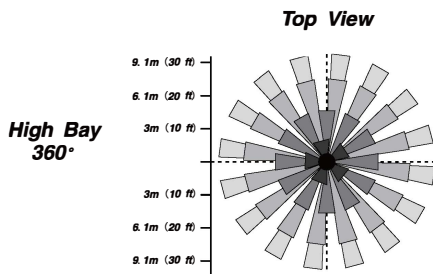


FEATURES:

- For use with Gen 5 Linear High Bays
- 120/277v 50/60Hz
- Coverage: 360°, 30Ft Height & 40 Ft Diameter
- cULus Listed
- Order Qty of 1 = 1

SPECIFICATIONS:

| | | |
|---|--------------------------------|---|
| Power supply | 120/277VAC | 50/60Hz |
| Maximum load @ -40°F ~ +167°F (-40°C ~ +75°C) | Resistive/Tungsten - 600W@120V | Electronic Ballast - 800W@120V/1200W@277V |
| PIR Len | 30ft@40ft | height/360 |
| Time setting | 10sec.-30min.(adjustable) | |
| Light-control | 10-300Lux(adjustable) | |
| Humidity | Max. 95% RH | |
| Temperature | -40°F ~ +167°F (-40°C ~ +75°C) | |



MOUNTED TO LINEAR HIGH BAY LIGHT

