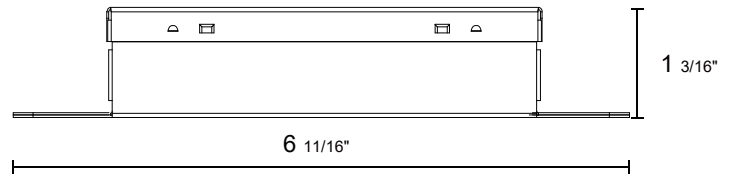




71716B - EMERGENCY BATTERY BACKUP FOR 50-165W HIGH BAY



FEATURES:

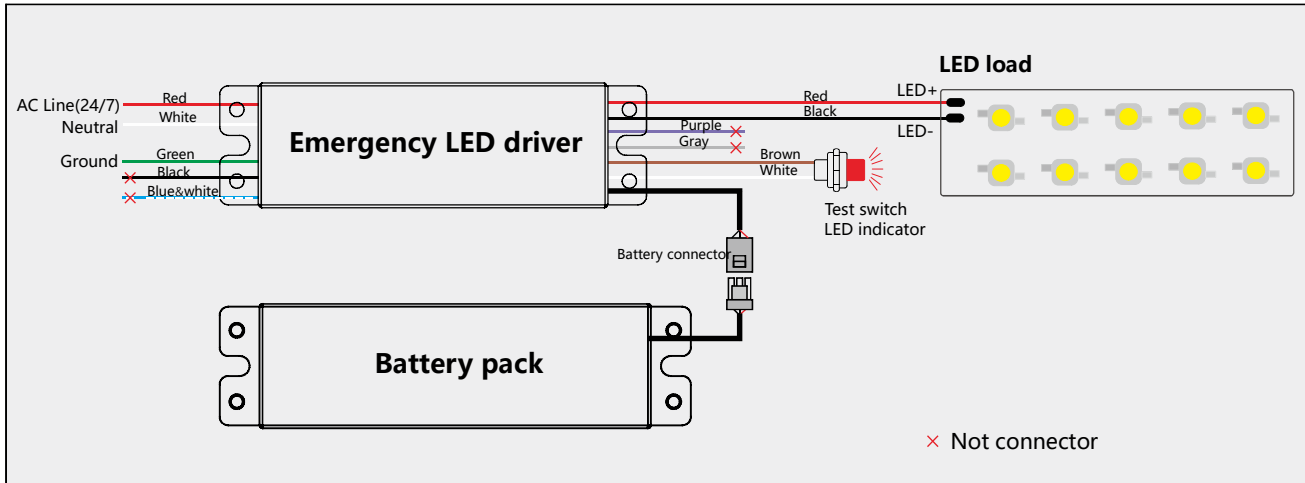
- Additional Relay that can control standard LED driver
- Ambient range 32-140 F
- IP20 protection
- 50,000 hours service life
- For use with Panels, Troffers, Strips, Wraps & Vaportight Fixtures
- cULus Listed
- 5 years warranty
- Order Qty of 1 = 1 Piece

| PART# | INPUT VOLTAGE | VOLTAGE/POWER (E.M MODE,VDC) | EMERGENCY TIME | BATTERY PACK | BATTERY CAPACITY |
|--------|--------------------|------------------------------|----------------|-------------------|------------------|
| 71716B | 100-277VAC 50-60HZ | 90-300V16W | 90MIN | LIFEP0412.8V3.3AH | 42.24WH |

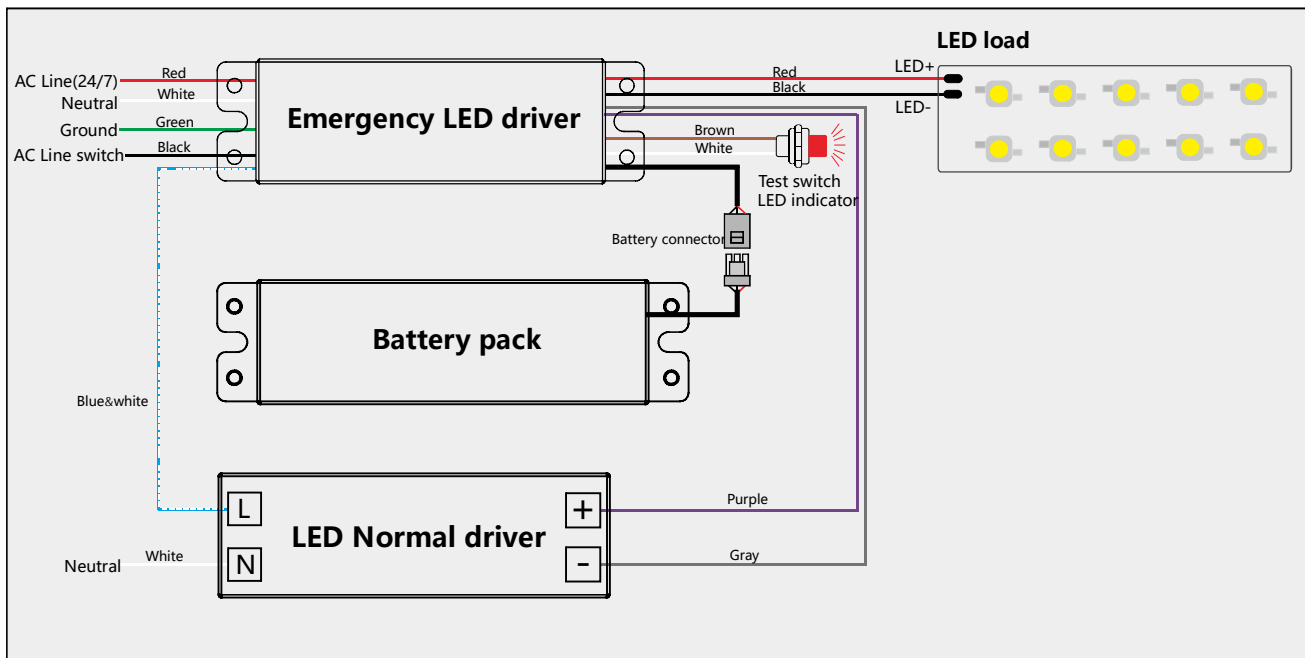


71716B - EMERGENCY BATTERY BACKUP FOR 50-165W HIGH BAY

Wiring diagram(Non-maintained)



Wiring diagram(Maintained)



Installation instruction:

- Please install this product properly by the licensed electrician.
- Please check and confirm all the data and usage surrounding before installation.
- Damp or wet location installation is OK.
- This item could be used in the sealed fixtures or installed open area of the fixtures.
- Please keep it away from the flammable materials with a place of good heat dissipation.
- Please charge the battery consistently for >24 hours for the first time usage so as to activate the whole battery cells of discharging/charging duration.



71716B - EMERGENCY BATTERY BACKUP FOR 50-165W HIGH BAY

TECHNICAL DATA

| Item | Data |
|---|---------------------------------------|
| RATED INPUT VOLTAGE | 100-277VAC 50-60HZ |
| INPUT CURRENT | 120MA MAX |
| INPUT POWER | 8W MAX |
| POWER FACTOR | 0.6 @100VAC, 0.5@347VAC |
| OUTPUT WIRE L-OUT N-OUT (LED LOAD INPUT) | AC 6A MAX |
| OUTPUT VOLTAGE RANGE | DC25-54V, 60V MAX; 90-300V, 350V MAX. |
| OUTPUT VOLTAGE(EMERGENCY MODE) | 16W, CONSTANT POWER |
| BATTERY CELLS TYPE | LIFEPO4 12.8V 3.3AH |
| RECHARGE CURRENT | 0-500MA |
| RECHARGE TIME | 24---48HOURS |
| DISCHARGE TIME | 90 MINUTES |
| MAX. CASING TEMPERATURE TC | 176 F |
| AMBIENT OPERATING TEMPERATURE TA | 32-140 F |
| SERVICE LIFE | 50000 HOURS |

Warranty:

Morris Products carries a 5 year warranty from date of purchase against defects in materials and workmanship (assuming normal and proper usage).