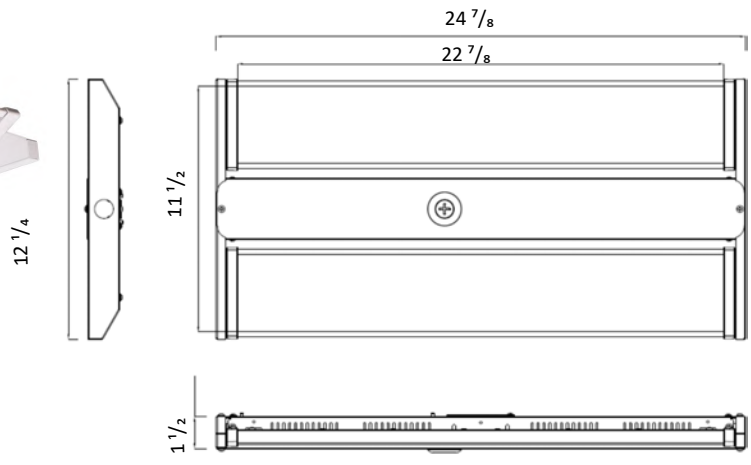




71708B - LINEAR HIGH BAY WITH AIMABLE LENS

120-277V 110W 4000K



FEATURES:

- Applications include manufacturing, warehousing, & other large indoor spaces where T12, T8 & T5 High Bay Lighting is being replaced
- Emergency Backup & Motion Sensor Capable (Sold Separately)
- Triangular Suspension Mount Hooks w/ 3' Hang Chain Included
- 50,000+ Hr Life Expectancy
- IP20 Rated
- Operation Temperature -22°F - 122°F
- Listings: cULus, DLC: S-2AM3BR
- 5 Year Warranty
- 135° Lens Rotation, 90° Beam Angle

PART#	WATTAGE	VOLTAGE	LUMENS	CCT	CRI	DIMMING	LUMENS/WATT	DLC ID#:
71708B	110	120-277V	14,976	4000K	82	0-10V	137	S-2AM3BR

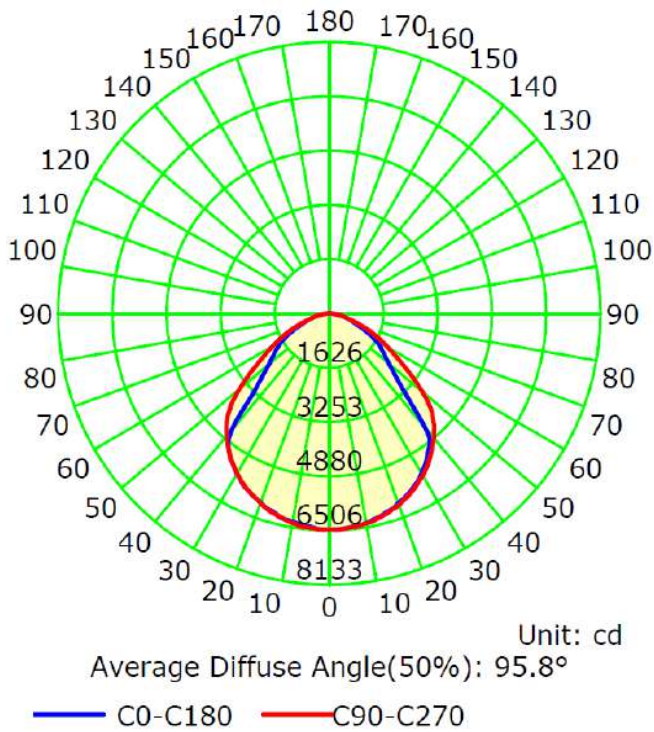


71708B - LINEAR HIGH BAY WITH AIMABLE LENS

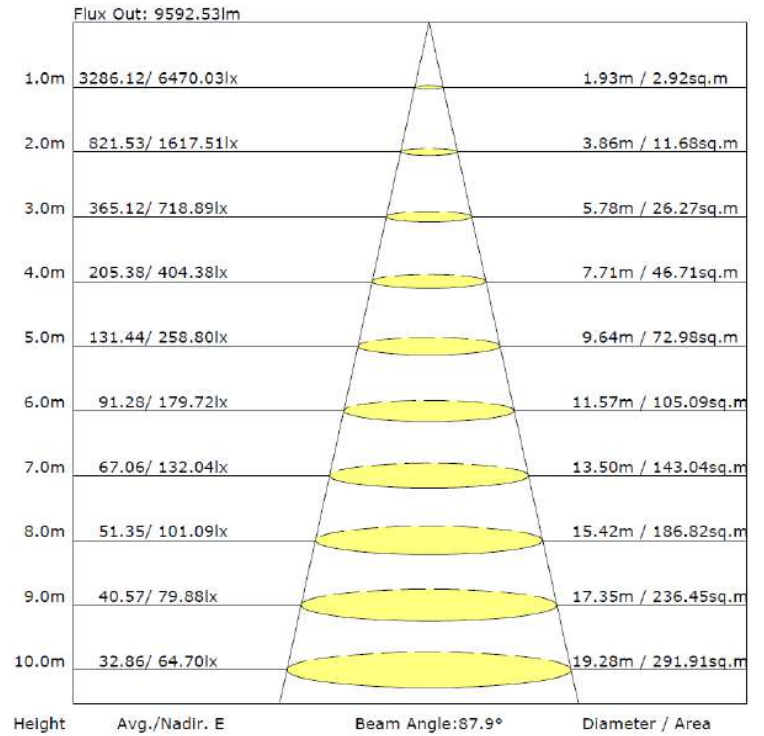
120-277V 110W 4000K

PHOTOMETRICS:

Luminous Intensity Distribution Curve



The Average Illuminance Effective Figure



View Degree of Rotation on Underside of Fixture:





71708B - LINEAR HIGH BAY WITH AIMABLE LENS

120-277V 110W 4000K

TECHNICAL SPECIFICATIONS:

Electrical:

Input Voltage: 120-277V

Current: 0.91@ 120V

Frequency: 50/60Hz

Power Factor: ≥ 0.9

THD: $\leq 20\%$

Product Parameters:

110 Watts

Lumens: 14,976

Efficacy: 137 Lumens Per Watt

50,000+ L70 Life Span

CCT: 4000K

Chromaticity Measurements:

Beam Angle: 90°

CRI: 82

R9: 5

DUV: -0.0002

Chromaticity (x,y): $x=0.3792$ $y=0.3764$

Chromaticity (u,v): $u(u')=0.2244$ $v'=0.5013$

Component Specifications:

LED: Lumileds SMD 2835

Driver: 120-277V 50/60Hz

Dimming:

0-10V

Operating Temperature:

Minimum Starting -22°F - 122°F

Construction:

Housing/Trim: Iron

PMMA Lens

IP20 Rated

Listings:

cULus

DLC

Carton Qty: 2

Warranty:

Morris Products carries a 5 year warranty from date of purchase against defects in materials and workmanship (assuming normal and proper usage).

Accessories (Sold Separately):

76502 - 25W Emergency Battery Backup

71716B - Emergency Battery Backup for 50W-165W

74187B - Microwave Motion Sensor 120-277V

74186B - PIR Sensor 120-277V

74188B - Remote Control - PIR & Microwave Motion Sensors

71717A - Suspension Cable

71739A - Pendant Mount for 120-277V

71741A - Surface Mount for 120-277V