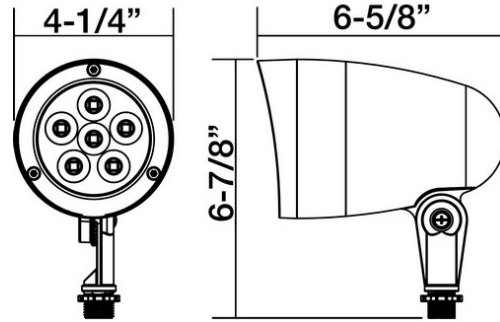




71682B - GEN 3 BULLET FLOOD

120-277V 21W 5000K

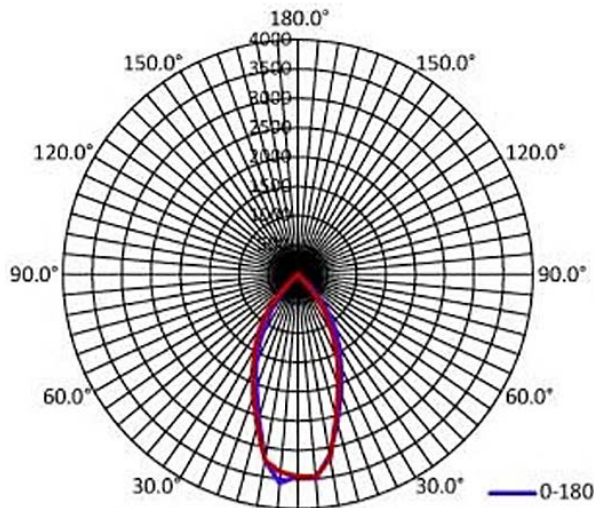


FEATURES:

- Operation Temperature: -40°F - 104°F
- Corrosion Resistant Die Cast Aluminum Housing
- Tempered Glass Lens
- 1/2" NPT Knuckle
- 50,000+ Hour LED Life Expectancy
- IP65(Nema 4X) Dust & Water Tight
- Listings: cULus
- DLC PRODUCT ID#: PLMKNCKJKMD
- 5 Year Warranty

Part#	Housing Color	Wattage	Lumens	CCT	Voltage	CRI	Lumens/Watt	Dimming
71682B	White	21W	2,894	5000K	120-277V	≥70	138 lm/w	0-10V

PHOTOMETRY 49° Beam Angle





71682B - GEN 3 BULLET FLOOD

120-277V 21W 5000K

Technical Specifications:

Electrical:

Input Voltage: 120-277V

Current: 0.18A @120V

Frequency: 60Hz

Power Factor: ≥ 0.99

THD: $\leq 20\%$

Product Parameters:

Wattage: 21W

Lumens: 2,894

Efficacy: 138 Lumens Per Watt

50,000+ Hour LED Life Span

CCT: 5000K

Chromaticity Measurements:

Beam Angle: 49°

R9: -29

CRI: 70

Component Specifications:

LED: Lumileds 2835

Driver: 120-277V 50-60HZ

Dimming: 0-10V

Operating Temperature:

Minimum Starting -40°F - 104°F

Construction:

Housing: Aluminum

Powder Coated

IP Rating: IP65

Lens Material: Tempered Glass

Mounting: 1/2" NPT Knuckle

Listings:

cULus

DLC PREMIUM PRODUCT ID#: PLMKLNCKJKMD

Warranty:

Morris Products carries a 5 year warranty from date of purchase against defects in materials and workmanship (assuming normal and proper usage).