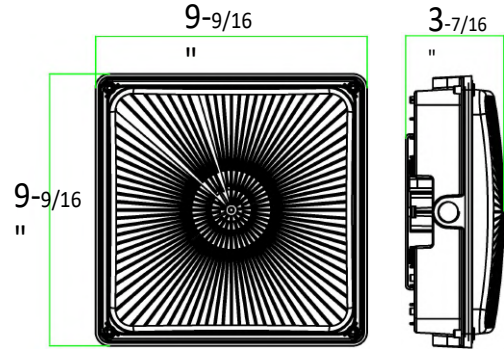
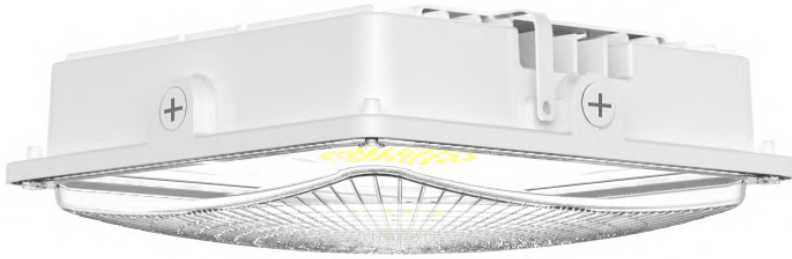




71610C - CCT & WATTAGE SELECTABLE CANOPY - WHITE

120-277V 3K/4K/5 45/60/75W



50W/75W

FEATURES:

- Color Selectable: 3K/4K/5K
- Wattage Selectable:
 - 45W/60W/75W
- 4KV surge protection
- Life Hours: >50,000 hours
- 5 year warranty
- 2 Installations: Pendant & Surface Mount w/ J-Box
- Low-profile, stylish design with durable powder coat finish
- 0-10V Dimming
- Photocell Included w/ on/off switch
- Ambient operating temperature: -40°F to 122°F
- IP65 Wet Location Rated
- DLC Premium, cULus Listed

Part#	Housing Color	Wattage	Lumens	CCT	Voltage	Metal Halide Equal	Dimming
71603C	BRONZE	30W/40W/50W	6500	3K/4K/5K	120-277V	100W-150W	0-10V
71604C	WHITE	30W/40W/50W	6500	3K/4K/5K	120-277V	100W-150W	0-10V
71609C	BRONZE	45W/60W/75W	9750	3K/4K/5K	120-277V	150W-250W	0-10V
71610C	WHITE	45W/60W/75W	9750	3K/4K/5K	120-277V	150W-250W	0-10V



71609C - CCT & WATTAGE SELECTABLE CANOPY

WHITE 120-277V 3K/4K/5K 45/60/75W

Technical Specifications:

Electrical:

Input Voltage: 120 - 277
 Frequency: 50/60 Hz
 Input Current: < 800mA
 Power Factor: >0.9
 THD: <20%

Product Parameters:

30-40-50W selectable
 (71603C-71604C)
 45-60-75W selectable
 (71609C-71610C)
 Efficacy: 130 lumens per watt
 50,000+ LED Life Span
 3000K/4000K/5000K SELECTABLE

Chromacity Measurements:

Beam Angle: 160°
 CRI: ≥ 70

Component Specifications:

LED, 4KV surge protection

Dimming: 0-10V

Operating Temperature:

40° - 122° F

Construction:

Low-profile, stylish design with durable powder coat finish IP Rating: IP65 Wet Location Rated
 Lens Material:
 Prismatic Polycarbonate Lens
 Mounting: Ceiling Mount (Drywall / Sheetrock)

Listings:

cULus

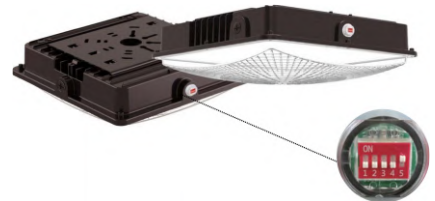
DLC Premium: 71603C & 71604C: S-1FAG08, 71609C & 71610C: S-PU07RX

Warranty:

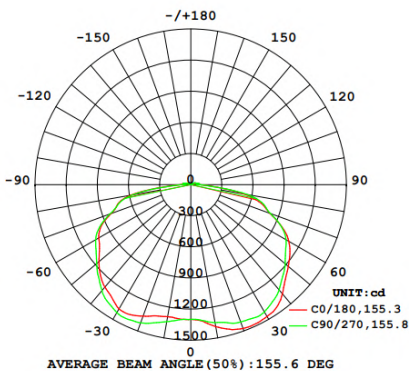
Morris Products carries a 5 year warranty from date of purchase against defects in materials and workmanship (assuming normal and proper usage).

45W/60W/75W LUMEN BREAKDOWN:

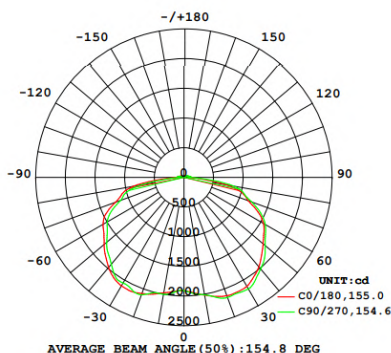
	3000K	4000K	5000K
45W	5,662	5,994	5,852
60W	7,383	7,941	7,715
75W	8,975	9,628	9,195



PHOTOMETRY:



50W



75W

Wattage Select



100% (Default)



80%



60%

Photocell



Enable



Disable
(Default)

CCT Select



5000K (Default)



4000K



3000K