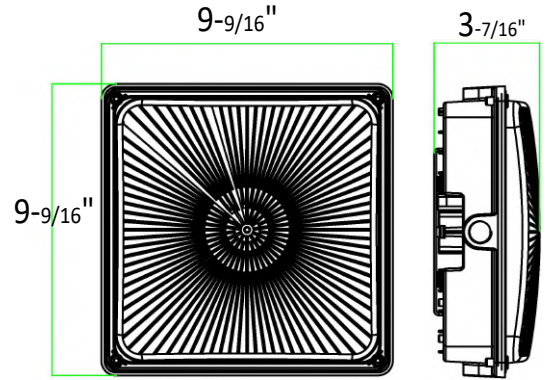




# 71609C - CCT & WATTAGE SELECTABLE CANOPY - BRONZE

120-277V 3K/4K/5K 45/60/75W



50W/75W

## FEATURES:

- Color Selectable: 3K/4K/5K
- Wattage Selectable:
  - 45W/60W/75W
- 4KV surge protection
- Life Hours: >50,000 hours
- 5 year warranty
- 2 Installations: Pendant & Surface Mount w/ J-Box
- Low-profile, stylish design with durable powder coat finish
- 0-10V Dimming
- Photocell Included w/ on/off switch
- Ambient operating temperature: -40°F to 122°F
- IP65 Wet Location Rated
- DLC Premium, cULus Listed

Part#	Housing Color	Wattage	Lumens	CCT	Voltage	Metal Halide Equal	Dimming
71603C	BRONZE	30W/40W/50W	6500	3K/4K/5K	120-277V	100W-150W	0-10V
71604C	WHITE	30W/40W/50W	6500	3K/4K/5K	120-277V	100W-150W	0-10V
71609C	BRONZE	45W/60W/75W	9750	3K/4K/5K	120-277V	150W-250W	0-10V
71610C	WHITE	45W/60W/75W	9750	3K/4K/5K	120-277V	150W-250W	0-10V



# 71609C - CCT & WATTAGE SELECTABLE CANOPY

BRONZE 120-277V 3K/4K/5K 45/60/75W

## Technical Specifications:

### Electrical:

Input Voltage: 120 - 277  
 Frequency: 50/60 Hz  
 Input Current: < 800mA  
 Power Factor:  $\geq 0.9$   
 THD: <20%

### Product Parameters:

30-40-50W selectable  
 (71603C-71604C)  
 45-60-75W selectable  
 (71609C-71610C)  
 Efficacy: 130 lumens per watt  
 50,000+ LED Life Span  
 3000K/4000K/5000K SELECTABLE

### Chromaticity Measurements:

Beam Angle: 160°  
 CRI:  $\geq 70$

### Component Specifications:

LED, 4KV surge protection

Dimming: 0-10V

### Operating Temperature:

40° - 122° F

### Construction:

Low-profile, stylish design with durable powder coat finish IP Rating: IP65 Wet Location Rated  
 Lens Material:  
 Prismatic Polycarbonate Lens  
 Mounting: Ceiling Mount (Drywall / Sheetrock)

### Listings:

cULus

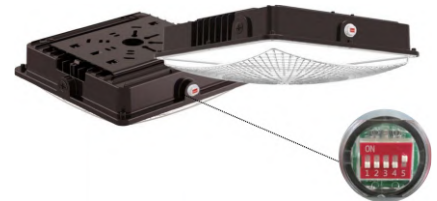
DLC Premium: 71603C & 71604C: S-1FAG08, 71609C & 71610C: S-PU07RX

### Warranty:

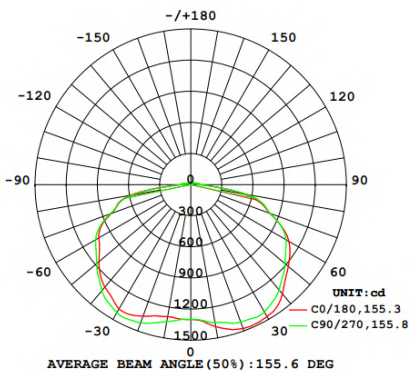
Morris Products carries a 5 year warranty from date of purchase against defects in materials and workmanship (assuming normal and proper usage).

### 45W/60W/75W LUMEN BREAKDOWN:

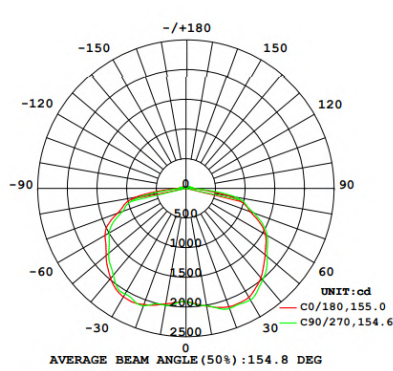
	3000K	4000K	5000K
<b>45W</b>	5,662	5,994	5,852
<b>60W</b>	7,383	7,941	7,715
<b>75W</b>	8,975	9,628	9,195



### PHOTOMETRY:



50W



75W

### Wattage Select



100% (Default)



80%



60%

### Photocell



Enable



Disable  
(Default)

### CCT Select



5000K (Default)



4000K



3000K