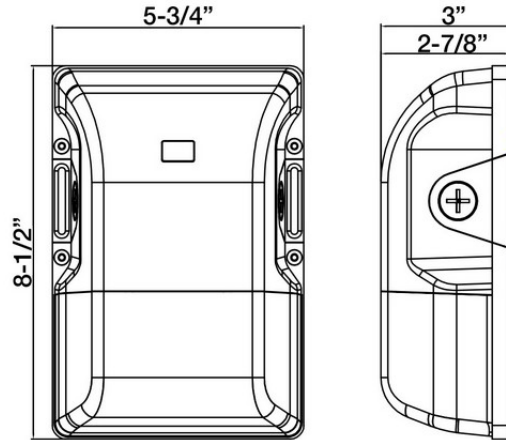




71590B-71592B - GEN 2 ARCHITECTURAL MINI WALLPACK

3K/4K/5K 120-277V



FEATURES:

- Use in general lighting applications: Entryways, Walkways, Door Step Lighting and pathways
- Operating Temperature: -40°F to 113°F
- Photocell Included - Disconnect if not required
- Die Cast Aluminum Housing - Bronze Finish
- 2 Apertures - (1) 1/2" Bottom Knockout, (1) 1/2" Back Wiring Knockout
- IP65 (NEMA 4X) Dust & Water Tight
- Listings: cULus, DLC Premium
- 5 Year Warranty

PART#	PHOTOCELL	WATTS	VOLTS	COLOR	CCT	LUMENS	REPLACES INCANDESCENT	CRI
71590B	YES	15W	120-277V	BRONZE	3K/4K/5K	2,129 @ 5K	50W	>80
71591B	YES	20W	120-277V	BRONZE	3K/4K/5K	2,599 @ 5K	70W	>80
71592B	YES	30W	120-277V	BRONZE	3K/4K/5K	3,947 @ 5K	100W	>80



71590B-71592B - GEN 2 ARCHITECTURAL MINI WALLPACK

3K/4K/5K 120-277V

Technical Specifications:

Electrical:

Input Voltage: 120-277V

Current: 0.13A

Frequency: 60Hz

Power Factor: ≥ 0.99

THD: $\leq 20\%$

Product Parameters:

Wattage: 15/20/30W

Lumens: 2,129-3,947

Efficacy: 131-141 Lumens Per Watt

50,000+ Hour LED Life Span

CCT Tunable: 3000K/4000K/5000K

Chromaticity Measurements:

Beam Angle: 100°

R9: -1

CRI: >80

Component Specifications:

LED: Lumileds 2835

Driver: 120-277V 50-60HZ

Dimming: Yes

Operating Temperature:

Minimum Starting -40°F - 113°F

Construction:

Housing: Aluminum

Powder Coated

IP Rating: IP65

Lens Material: Polycarbonate

Mounting: Wall

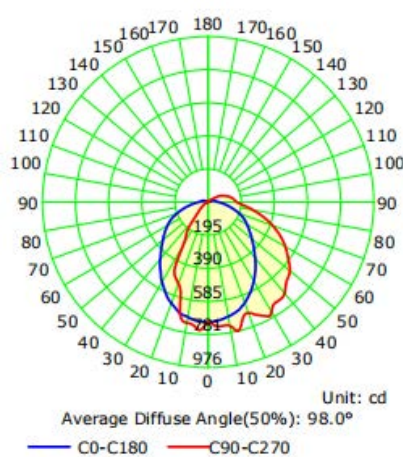
Listings: cULus, DLC Product ID#: S-K1D4SC

Warranty:

Morris Products carries a 5 year warranty from date of purchase against defects in materials and workmanship (assuming normal and proper usage).

PHOTOMETRY

Luminous Intensity Distribution Curve



Illuminance at a Distance

Dist(m)	Enadir(lx)	Dh/Dv_B(m)	S_B(sq.m)	Eav_B(lx)
1.0	708.50	2.26/2.34	8.3	87.76
2.0	177.12	4.53/4.68	33.3	21.94
3.0	78.72	6.79/7.02	75.0	9.75
4.0	44.28	9.05/9.36	133.4	5.49
5.0	28.34	11.31/11.70	208.4	3.51
6.0	19.68	13.58/14.04	300.1	2.44
7.0	14.46	15.84/16.38	408.5	1.79
8.0	11.07	18.10/18.72	533.6	1.37
9.0	8.75	20.36/21.06	675.3	1.08
10.0	7.08	22.63/23.40	833.7	0.88

Dv Beam Angle(B): H97.1 V99.0 Field Angle(F): H174.3 V163.3