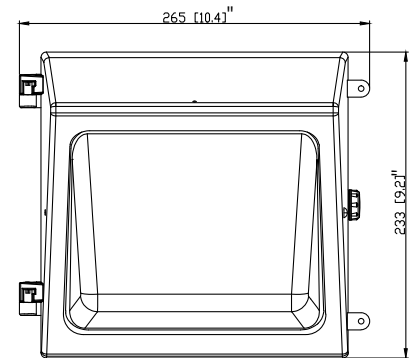
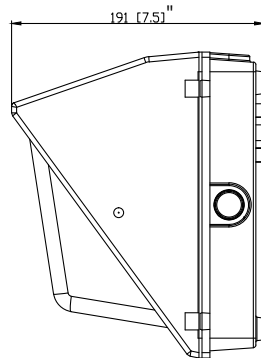




71436D - LED WHITE SMALL WALL PACK

120-277V 30W 5000K



Includes Built-In Photocell!

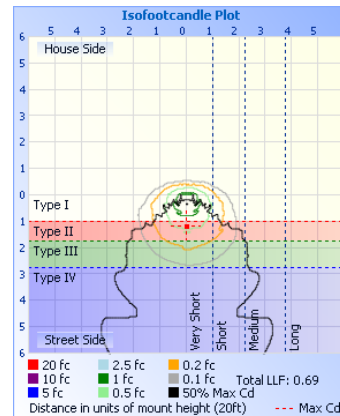
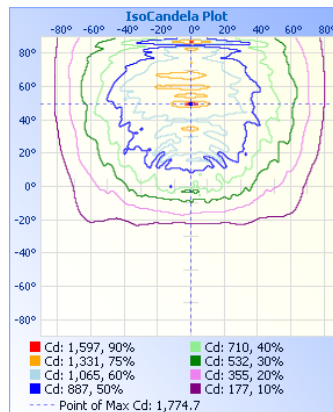
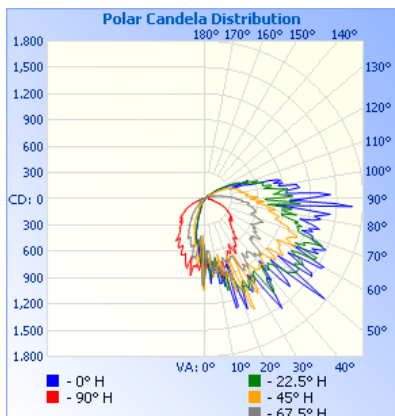
FEATURES:

- Die Cast Aluminum Housing/ Stainless Hardware
- Polyester White Powder Coating
- Aluminum Heat Sink & Customized Fin Design for Optimal Heat Dissipation
- Heat Resistant Optics
- Borosilicate Glass Lens
- 0-10V Dimmable
- *Photocontrol included with on/off switch
- Operation Temperature: -40°F - 104°F
- Emergency Battery Backup Available
- Light Pattern: 112°
- Certifications: ETL/cETL
- DLC PRODUCT ID#: S-8ZESOP
- Wet Location Rated
- 5 Year Warranty

*The ON/OFF photocell is pre-installed in the fixture and the default switch setting is ON. The photocell must be turned OFF for the fixture to operate when there is ambient or bright light.

Part#	Housing Color	Wattage	Lumens	CCT	Voltage	Dimming	Replaces Metal Halide	DLC PRODUCT ID#:
71436D	White	30W	4184	5000K	120-277V	0-10V	100W	S-8ZESOP

PHOTOMETRY:





71436D - LED WHITE SMALL WALL PACK

120-277V 30W 5000K

TECHNICAL SPECIFICATIONS:

Electrical:

Input Voltage: 120V-277V

Current: see chart pg 1

Frequency: 50/60Hz

Power Factor: $\geq .90$ @120v

THD: <20% @120V

Product Parameters:

Efficacy: 139 lumens per watt

50,000+ Hour L70 Life Span

CCT: 5000K (Cool White)

Chromacity Measurements:

Beam Angle: 112°

BUG Rating: B1-U3-G3

CRI: 74

R9: -31

Component Specifications:

LED

120V-277V

Dimming: 0-10V

Operating Temperature: -40°F - 104°F

Construction:

Housing: Die Cast Aluminum Alloy Powder Coated Finish

Lens Material: Prismatic Borosilicate Glass Lens

Lens UV Resistant Fire Resistant

Ingress Protection: WET location Rated

Mounting: Wall Mount

Listings:

cETLus

DLC PRODUCT ID#: S-8ZESOP

Warranty:

Morris Products carries a 5 year warranty from date of purchase against defects in materials and workmanship (assuming normal and proper usage).