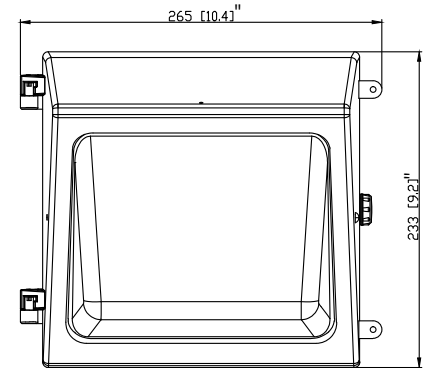
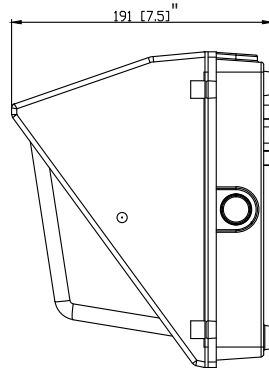




# 71435D - LED BRONZE SMALL WALL PACK

120-277V 30W 5000K



**Includes Built-In Photocell!**

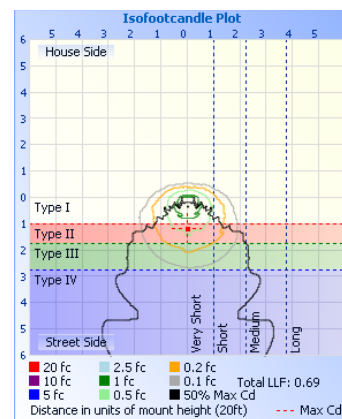
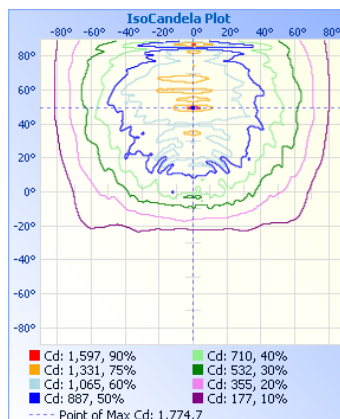
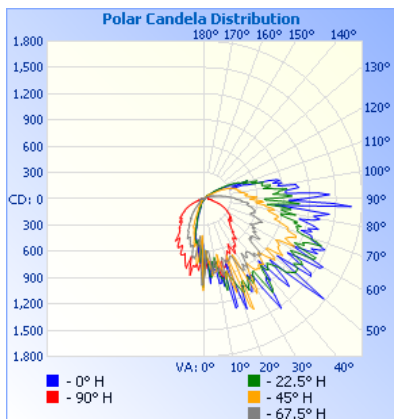
**FEATURES:**

- Die Cast Aluminum Housing/ Stainless Hardware
- Polyester White Powder Coating
- Aluminum Heat Sink & Customized Fin Design for Optimal Heat Dissipation
- Heat Resistant Optics
- Borosilicate Glass Lens
- 0-10V Dimmable
- \*Photocontrol included with on/off switch
- Operation Temperature: -40°F - 104°F
- Emergency Battery Backup (Sold Separately)
- Light Pattern: 112°
- Certifications: ETL/cETL, DLC
- Wet Location Rated
- DLC PRODUCT ID#: S-8ZESOP
- 5 Year Warranty

\*The ON/OFF photocell is pre-installed in the fixture and the default switch setting is ON. The photocell must be turned OFF for the fixture to operate when there is ambient or bright light.

Part#	Housing Color	Wattage	Lumens	CCT	Voltage	Dimming	Replaces Metal Halide	DLC PRODUCT ID#:
71435D	Bronze	30W	4184	5000K	120-277V	0-10V	100W	S-8ZESOP

**PHOTOMETRY:**





# 71435D - LED BRONZE SMALL WALL PACK

120-277V 30W 5000K

## TECHNICAL SPECIFICATIONS:

### Electrical:

Input Voltage: 120V-277V  
Current: see chart pg 1  
Frequency: 50/60Hz  
Power Factor:  $\geq .90$  @120v  
THD: <20% @120V

### Product Parameters:

Efficacy: 139 lumens per watt  
50,000+ Hour L70 Life Span  
CCT: 5000K (Cool White)

### Chromacity Measurements:

Beam Angle: 112°  
BUG Rating: B1-U3-G3  
CRI: 74  
R9: -31

### Component Specifications:

LED  
120V-277V

**Dimming:** 0-10V

**Operating Temperature:** -40°F - 104°F

### Construction:

Housing: Die Cast Aluminum Alloy Powder  
Coated Finish  
Lens Material: Prismatic Borosilicate Glass Lens  
Lens UV Resistant Fire Resistant

Ingress Protection: WET location Rated

**Mounting:** Wall Mount

### Listings:

cETLus  
DLC PRODUCT ID#: S-8ZESOP

---

### Warranty:

Morris Products carries a 5 year warranty from date of purchase against defects in materials and workmanship (assuming normal and proper usage).