



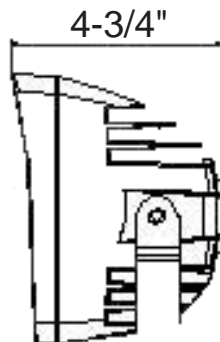
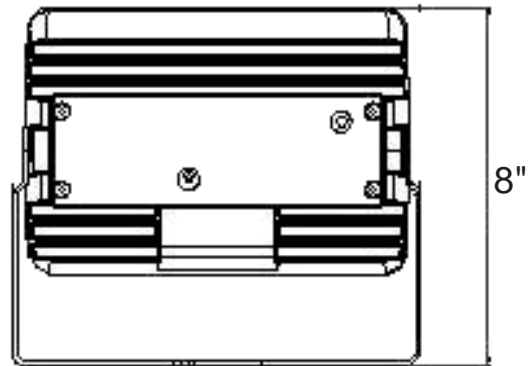
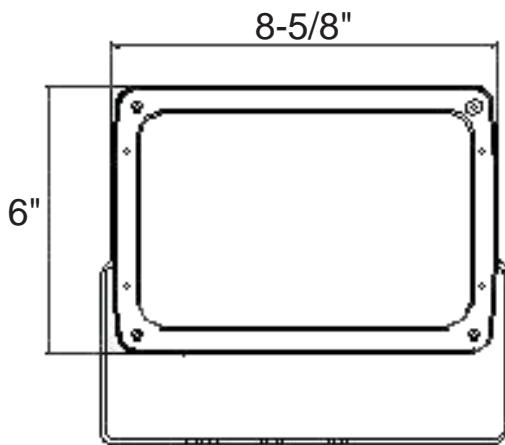
**71342
LED Floodlight**



| Model : | | 71342 |
|-------------------------|-------------------------------|--|
| OVERALL LAMP PARAMETERS | Input Voltage | 100-277VAC 50/60HZ |
| | Input Current | 0.38AMax |
| | Input Power | 28 W |
| | Power Factor | PF≥0.90 |
| | Luminance | 2732 LM |
| | Luminous Efficiency | 94 LM/W |
| | CRI | 83 |
| | Beam Angle | 120° |
| | Main Structure | Aluminium + Tempered Glass |
| LED DRIVER | Output Voltage | 24-45VDC |
| | Output Current | 0.7A |
| | Driver Efficiency | 89% |
| LED | LED Manufacturer | cree |
| | LED Type | CXA1512 |
| | LED Quantity | 2 PCS |
| | LED Efficacy | 110 LM/W |
| | Color Temperature | WW/NW/CW (5019K) |
| Photocell | - | Sold Separately |
| LIFESPAN & ENVIRONMENT | Lifespan | 50000Hrs. |
| | Warranty | 5 Years |
| | IP Rating | IP65 Wet Locations |
| | Operating Temperature | -40F - +131F |
| | Storage Temperature.Humidity | -40F - +176F , 10—90% RH |
| SAFETY&EMC | Safety Norms | UL1598,UL8750, EN60598, EN61347-2-13, EN62031, EN62471 |
| | Withstand Voltage | I/P-FG: 2121VDC |
| | Grounding Resistance | ≤0.5Ω,OK |
| | Electromagnetic Compatibility | EN55015, EN61000-2-3, EN61000-3-3, EN61547 |
| OTHERS | Dimension | Pls refer to attached dimension drawing |
| | Gross Weight | 5.9 Lbs |
| | Packing Size | inner box: L238*W212*H145 master carton: 490*440*300 |
| | Q'ty / Carton | 8PCS |
| | Volume | 2.28Cbm/carton |



Dimension : 71342





Report No.: GZE140709-K

LM-79-08 Test Report

For

Morris Products Inc.
53 Carey Rd.
Queensbury, NY 12804

Architectural Flood and Spot Luminaires

Model name(s): 71342, 71343

Representative (Tested) Model: 71342

Model Difference: All construction and rating are the same, except CCT

Test & Report By:

Sean Zhuo

Engineer: Sean Zhuo

Date: Jul.29,2014

Review By:

Tommy Liang

Manager: Tommy Liang

Note: This report does not imply product certification, approval, or endorsement by NVLAP, NIST, or any agency of the Federal Government.

Laboratory: Standard-Tech Co. Ltd Testing Center
NVLAP CODE: 201011-0

Report Format Number STD/QR4909-A/2

Address: 8th floor, Block B, No. 11 Caipin Road, Guangzhou Science City, Tianhe, Guangzhou 510663, China

Tel: 8620-3229 0320 Fax: 8620-32290422 <http://www.standard-tech.com>

U.S. Department of Energy

Lighting Facts™ Uniform LM-79 Reporting Template
Laboratory Information:

| | |
|-------------------------|-----------------------|
| Name of Test Laboratory | Standard-Tech Co. Ltd |
| Date of Test Report | Jul.29,2014 |
| Test Report No. | GZE140709-K |
| Laboratory Contact Name | Tommy Liang |

Product Information:

| | | |
|---|---|-----|
| Organization Name | Morris Products Inc. | |
| Brand Name | MORRIS | |
| Model Number | 71342 | |
| SKU (if available) | N/A | |
| Type of Luminaire (for integral lamps, list base type and lamp type) | Architectural Flood and Spot Luminaires | |
| Luminaire Aperture (for downlights) | -- | in. |
| Luminaire Length | -- | mm |
| Luminaires Width | -- | mm |
| Number of Units (modular products) | N/A | s |

| | Integrating Sphere Output | Goniophotometer Output | |
|---------------------------------|------------------------------|---------------------------|---|
| Electrical Measurements: | | | |
| Input Wattage | 28.84 | -- | W |
| Input Current | 0.2451 | -- | A |
| Input Voltage (ac) | 120.0 | -- | V |
| Power Factor | 0.9804 | -- | |
| Off-State Power | 0 | -- | W |

Photometric Characteristics

| | | | |
|---|--------|----|------|
| Total Initial Lumen Output | 2732.7 | -- | lm |
| Initial Lumen Efficacy | 94.75 | -- | lm/w |
| Correlated color temperature / CCT | 5019 | -- | K |
| Color rendering index / CRI | 83.5 | -- | |
| R9 Value | 16 | -- | |
| Duv | 0.0019 | -- | |
| Luminous Intensity Distribution | | | |
| Center beam candlepower (if applicable) | | -- | |
| Beam angle (if applicable) | | -- | |
| Zonal lumens in the 0°-60° zone | | -- | |
| Zonal lumens in the 60°-90° zone | ----- | -- | |
| Zonal lumens in the 90°-120° zone | | -- | |
| Zonal lumens in the 120°-180° zone | | -- | |

Laboratory: Standard-Tech Co. Ltd Testing Center
NVLAP CODE: 201011-0

Report Format Number STD/QR4909-A/2

Address: 8th floor, Block B, No. 11 Caipin Road, Guangzhou Science City, Tianhe, Guangzhou 510663, China

 Tel: 8620-3229 0320 Fax: 8620-32290422 <http://www.standard-tech.com>

| | |
|----------------------------|--|
| Test Specifications: | |
| Date of Receipt | : Jul.28,2014 |
| Date of Test | : Jul.29,2014 |
| Test item | : Total Luminous Flux, Luminous Distribution Intensity, Luminous Efficacy, Correlated Color Temperature, Color Rendering Index, Chromaticity Coordinate, Electrical parameters |
| Reference Standard | IES LM-79-2008 Electrical and Photometric Measurements of Solid-State Lighting Products ANSI C78.377-2008 Specifications for the Chromaticity of Solid State Lighting Products CIE 13.3-1995 Method of Measuring and Specifying Colour Rendering Properties of Light Sources CIE 15-2004 Technical Report Colorimetry IESNA LM-16-93 Practical Guide to Colorimetry of Light Source IESNA TM-16-05 Technical Memorandum on Light Emitting Diode (LED) Sources and Systems |
| Reference Work Instruction | QD25 |

Test Methods

1. Photometric and Electrical measurements – Light Distribution Method:

Photometric parameters were measured using the goniophotometer and software. The ambient temperature shall be maintained at $25^{\circ}\text{C} \pm 1^{\circ}\text{C}$, measured at a point not more than 1 m from the sample and at the same height as the sample. The sample was operated at 120 Volts AC, 60Hz. It was stabilized before measurement was made. Luminous flux, luminaire efficacy, zonal lumen were calculated from the software taken at 1° vertical intervals and 22.5° horizontal intervals.

2. Photometric and Electrical Measurements – Integrating Sphere Method:

Photometric parameters were measured using an integrating sphere, a spectroradiometer and software. The ambient temperature condition inside the sphere was maintained at $25^{\circ}\text{C} \pm 1^{\circ}\text{C}$. The sample measurements were made using a spectroradiometer connected by a fiber optic cable and detector through the detector port of the integrating sphere. The sample was operated at 120 Volts AC, 60Hz. It was stabilized before measurement was made. Chromaticity coordinates, correlated color temperature and color rendering index were calculated from the spectral radiant flux measurements taken at least 5 nm intervals over the range of 380 to 780 nm.

1. Product Information:

| | |
|---------------------------|---|
| Brand Name | MORRIS |
| Model Number | 71342 |
| Luminaire Type | Architectural Flood and Spot Luminaires |
| Rated Voltage / Frequency | 100 ~ 277 Vac, 50/60 Hz |
| Nominal Power | 30W |
| Rated Initial Lamp Lumen | -- |
| Declared CCT | 3000K,3500K,4000K,4500K,5000K |
| LED Manufacturer | CREE |
| LED Model | CXA1512 |
| Sample Receipt Date | Jul.28,2014 |
| Sample Number | 140709-29(3000K),30 (5000K) |

Photo



**Laboratory: Standard-Tech Co. Ltd Testing Center
NVLAP CODE: 201011-0**

Report Format Number STD/QR4909-A/2

Address: 8th floor, Block B, No. 11 Caipin Road, Guangzhou Science City, Tianhe, Guangzhou 510663, China

Tel: 8620-3229 0320 Fax: 8620-32290422 <http://www.standard-tech.com>

| | |
|--|-----------------------|
| 2.1 Electrical, Photometric and Chromaticity Measurements (Refer to Work Instruction QD25) | IES LM-79 2008 |
|--|-----------------------|

| | | | |
|-------------------------|--|---------------------------------|---------|
| Test date | 2014-07-29 | Test Ambient: | 25.2 °C |
| Test Orientation | Lighting Downward, light surface parallel to horizontal line | Stabilization Time (min) | 90 |
| Model Number | 71342 | | |

Electrical Measurement:

| Sample No. | Voltage (Vac) | Frequency (Hz) | Current (A) | Power (W) | Power Factor | THD % |
|------------|---------------|----------------|-------------|-----------|--------------|-------|
| 140709-29 | 120.0 | 60 | 0.2498 | 29.35 | 0.9793 | 12.25 |
| | 277.0 | 60 | 0.1198 | 30.20 | 0.9100 | 16.69 |

Sphere-Spectroradiometer Method:

| Parameter | Result |
|-----------------------------|---------------------|
| Test Voltage (V) | 120.0 |
| Frequency (Hz) | 60 |
| Color Rendering Index (CRI) | 82.9 |
| R9 | 12 |
| CCT (K) | 3124 |
| Chromaticity (x, y) | x=0.4313 y=0.4074 |
| Chromaticity (u', v') | u'=0.2456 v'=0.5218 |
| Duv | 0.0021 |

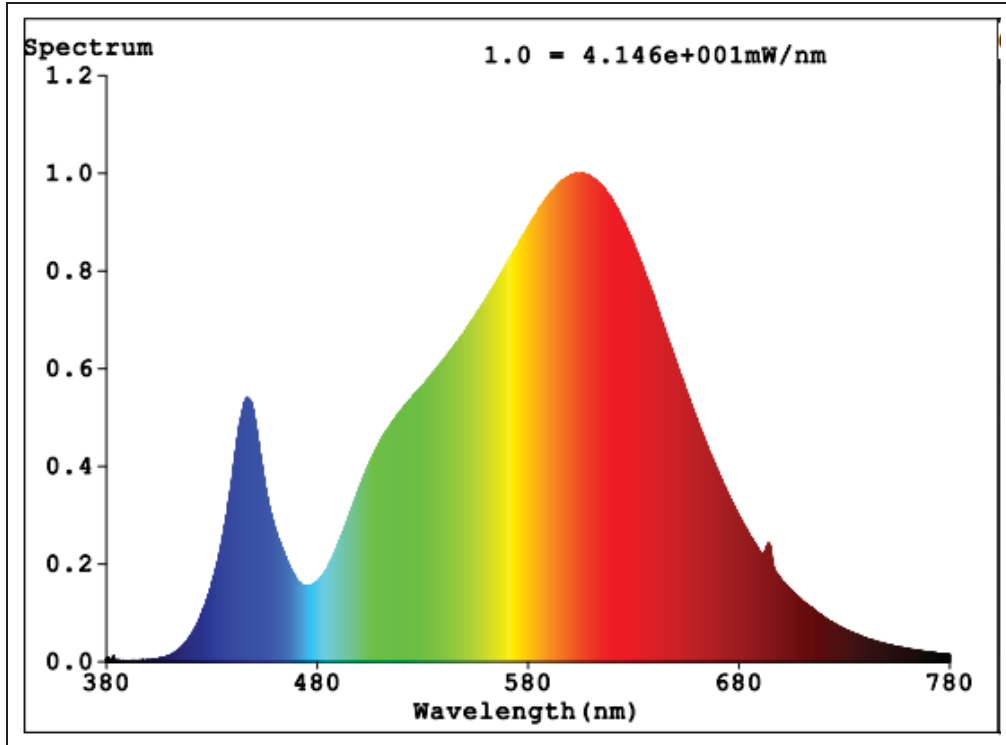
| Special Color Rendering Indices | | | |
|---------------------------------|----|-----|----|
| R1 | 81 | R9 | 12 |
| R2 | 88 | R10 | 74 |
| R3 | 96 | R11 | 82 |
| R4 | 83 | R12 | 69 |
| R5 | 81 | R13 | 82 |
| R6 | 85 | R14 | 97 |
| R7 | 86 | R15 | 74 |
| R8 | 63 | -- | -- |

Goniophotometer Method:

| Parameter | Result |
|-------------------------------|--------|
| Test Voltage (V) | 120.0 |
| Frequency (Hz) | 60 |
| Total Luminous (lm) | 2275.5 |
| Luminous Efficacy (lm/W) | 77.53 |
| Beam Angle° | 105.1 |
| Center Beam Candle Power (cd) | 1047 |
| S/MH(C0/180) | 1.21 |
| S/MH(C90/270) | 1.18 |

Spectral Power Distribution

Spectral Power Distribution:



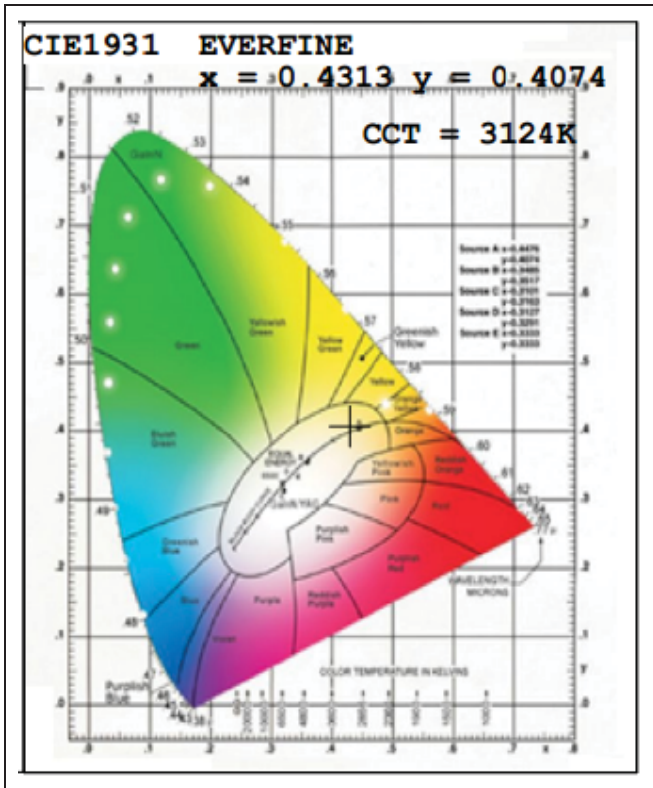
Laboratory: Standard-Tech Co. Ltd Testing Center
NVLAP CODE: 201011-0

Report Format Number STD/QR4909-A/2

Address: 8th floor, Block B, No. 11 Caipin Road, Guangzhou Science City, Tianhe, Guangzhou 510663, China

Tel: 8620-3229 0320 Fax: 8620-32290422 <http://www.standard-tech.com>

Chromaticity Diagram



Laboratory: Standard-Tech Co. Ltd Testing Center
NVLAP CODE: 201011-0

Report Format Number STD/QR4909-A/2

Address: 8th floor, Block B, No. 11 Caipin Road, Guangzhou Science City, Tianhe, Guangzhou 510663, China

Tel: 8620-3229 0320 Fax: 8620-32290422 <http://www.standard-tech.com>

Zonal Lumen Tabulation

| Zonal Lumen Summary | | | |
|---------------------|---------|--------|-------------|
| Zone | Lumens | % Lamp | % Luminaire |
| 0-30 | 784.7 | 34.5% | 34.5% |
| 0-40 | 1,275.2 | 56% | 56% |
| 0-60 | 2,133.5 | 93.8% | 93.8% |
| 60-90 | 137.3 | 6% | 6% |
| 70-100 | 17.1 | 0.8% | 0.8% |
| 90-120 | 0.6 | 0% | 0% |
| 0-90 | 2,270.8 | 99.8% | 99.8% |
| 90-180 | 4.9 | 0.2% | 0.2% |
| 0-180 | 2,275.7 | 100% | 100% |

| Lumens Per Zone | | | | | |
|-----------------|--------|---------|---------|--------|---------|
| Zone | Lumens | % Total | Zone | Lumens | % Total |
| 0-10 | 97.5 | 4.3% | 90-100 | 0.0 | 0% |
| 10-20 | 277.8 | 12.2% | 100-110 | 0.2 | 0% |
| 20-30 | 409.5 | 18.0% | 110-120 | 0.4 | 0% |
| 30-40 | 490.5 | 21.6% | 120-130 | 0.8 | 0% |
| 40-50 | 505.3 | 22.2% | 130-140 | 1.0 | 0% |
| 50-60 | 353.0 | 15.5% | 140-150 | 1.0 | 0% |
| 60-70 | 120.2 | 5.3% | 150-160 | 0.8 | 0% |
| 70-80 | 14.8 | 0.7% | 160-170 | 0.6 | 0% |
| 80-90 | 2.3 | 0.1% | 170-180 | 0.2 | 0% |

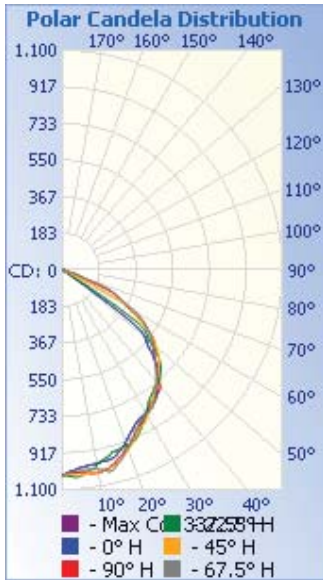
Laboratory: Standard-Tech Co. Ltd Testing Center
NVLAP CODE: 201011-0

Report Format Number STD/QR4909-A/2

Address: 8th floor, Block B, No. 11 Caipin Road, Guangzhou Science City, Tianhe, Guangzhou 510663, China

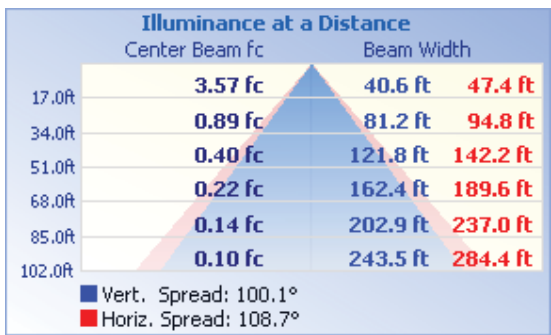
Tel: 8620-3229 0320 Fax: 8620-32290422 <http://www.standard-tech.com>

Photometric Data



| Flood Summary | | | | |
|---------------|-------------|----------------|-------------------|-----------------|
| | Efficiency | Lumens | Horizontal Spread | Vertical Spread |
| Field (10%): | 98.3% | 2,235.8 | 138.3 | 110.1 |
| Beam (50%): | 83.4% | 1,897.5 | 108.7 | 100.1 |
| Total: | 100% | 2,275.1 | | |

Illuminance Plots



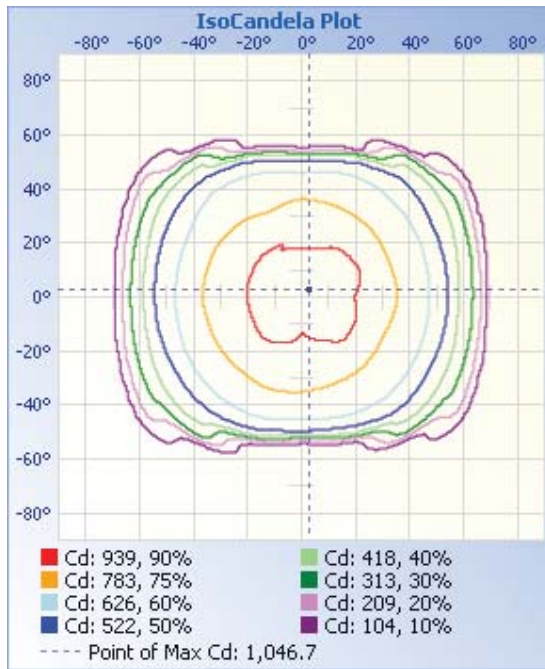
Laboratory: Standard-Tech Co. Ltd Testing Center
 NVLAP CODE: 201011-0

Report Format Number STD/QR4909-A/2

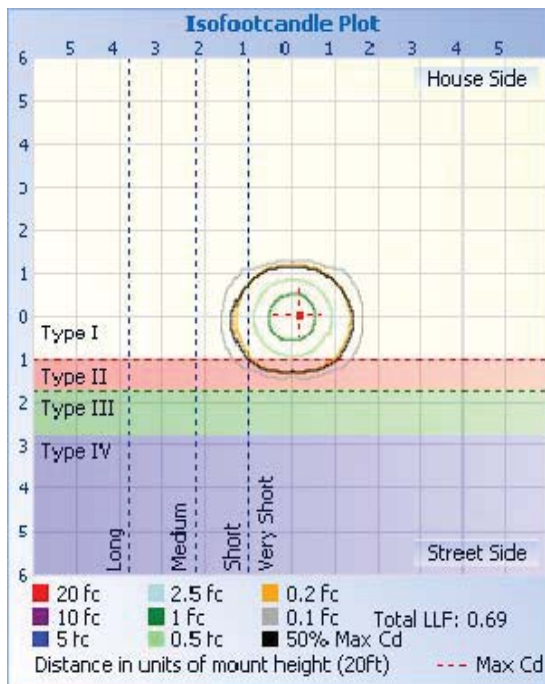
Address: 8th floor, Block B, No. 11 Caipin Road, Guangzhou Science City, Tianhe, Guangzhou 510663, China

Tel: 8620-3229 0320 Fax: 8620-32290422 <http://www.standard-tech.com>

ISOCANDELA DIAGRAM



ISOLUX DIAGRAM



Laboratory: Standard-Tech Co. Ltd Testing Center
 NVLAP CODE: 201011-0

Report Format Number STD/QR4909-A/2

Address: 8th floor, Block B, No. 11 Caipin Road, Guangzhou Science City, Tianhe, Guangzhou 510663, China

Tel: 8620-3229 0320 Fax: 8620-32290422 <http://www.standard-tech.com>

Candela Table - Type C

| | 0 | 22.5 | 45 | 67.5 | 90 | 112.5 | 135 | 157.5 | 180 | 202.5 | 225 | 247.5 | 270 | 292.5 | 315 | 337.5 | 360 |
|----|------|------|------|------|------|-------|------|-------|------|-------|------|-------|------|-------|------|-------|------|
| 0 | 1032 | 1032 | 1032 | 1032 | 1032 | 1032 | 1032 | 1032 | 1032 | 1032 | 1032 | 1032 | 1032 | 1032 | 1032 | 1032 | 1032 |
| 1 | 1023 | 1032 | 1032 | 1020 | 1030 | 1033 | 1028 | 1025 | 1037 | 1012 | 1028 | 1040 | 1035 | 1030 | 1032 | 1032 | 1023 |
| 2 | 1013 | 1036 | 1028 | 1020 | 1021 | 1036 | 1031 | 1023 | 1036 | 1010 | 1028 | 1036 | 1038 | 1033 | 1040 | 1034 | 1013 |
| 3 | 1012 | 1041 | 1030 | 1017 | 1018 | 1033 | 1026 | 1032 | 1034 | 1007 | 1025 | 1035 | 1029 | 1038 | 1044 | 1041 | 1012 |
| 4 | 1003 | 1044 | 1036 | 1007 | 1022 | 1033 | 1022 | 1032 | 1033 | 999 | 1025 | 1021 | 1030 | 1040 | 1044 | 1040 | 1003 |
| 5 | 999 | 1040 | 1036 | 1007 | 1019 | 1032 | 1019 | 1035 | 1031 | 991 | 1020 | 1014 | 1025 | 1042 | 1045 | 1047 | 999 |
| 6 | 995 | 1032 | 1033 | 1012 | 1020 | 1039 | 1026 | 1038 | 1018 | 995 | 1016 | 1020 | 1017 | 1041 | 1042 | 1039 | 995 |
| 7 | 992 | 1022 | 1026 | 1010 | 1027 | 1042 | 1024 | 1037 | 1008 | 985 | 1011 | 1012 | 1014 | 1037 | 1041 | 1040 | 992 |
| 8 | 990 | 1010 | 1034 | 1012 | 1035 | 1037 | 1025 | 1032 | 994 | 989 | 1002 | 1014 | 1017 | 1032 | 1031 | 1041 | 990 |
| 9 | 989 | 1013 | 1033 | 1012 | 1033 | 1033 | 1030 | 1019 | 976 | 979 | 997 | 1010 | 1018 | 1033 | 1030 | 1034 | 989 |
| 10 | 986 | 994 | 1030 | 1017 | 1035 | 1036 | 1035 | 1015 | 970 | 979 | 994 | 1003 | 1019 | 1036 | 1028 | 1029 | 986 |
| 11 | 986 | 980 | 1033 | 1022 | 1033 | 1041 | 1031 | 1013 | 954 | 982 | 992 | 1004 | 1024 | 1028 | 1025 | 1029 | 986 |
| 12 | 980 | 977 | 1029 | 1029 | 1025 | 1037 | 1025 | 996 | 945 | 986 | 989 | 998 | 1022 | 1031 | 1016 | 1014 | 980 |
| 13 | 983 | 966 | 1029 | 1041 | 1026 | 1028 | 1024 | 984 | 939 | 976 | 988 | 1002 | 1015 | 1021 | 1018 | 1001 | 983 |
| 14 | 981 | 964 | 1020 | 1037 | 1013 | 1026 | 1017 | 968 | 928 | 970 | 986 | 1007 | 1009 | 1015 | 1014 | 997 | 981 |
| 15 | 978 | 950 | 1017 | 1025 | 1006 | 1019 | 1010 | 968 | 925 | 953 | 983 | 1003 | 985 | 998 | 1014 | 982 | 978 |
| 16 | 972 | 947 | 1006 | 1010 | 993 | 1008 | 1000 | 955 | 924 | 946 | 985 | 996 | 972 | 983 | 1006 | 974 | 972 |
| 17 | 957 | 945 | 995 | 1000 | 983 | 995 | 987 | 944 | 918 | 933 | 981 | 984 | 970 | 972 | 1000 | 965 | 957 |
| 18 | 948 | 942 | 982 | 985 | 973 | 968 | 974 | 927 | 913 | 922 | 971 | 971 | 955 | 964 | 993 | 950 | 948 |
| 19 | 936 | 937 | 973 | 964 | 958 | 950 | 960 | 924 | 909 | 907 | 970 | 960 | 940 | 964 | 986 | 944 | 936 |
| 20 | 921 | 937 | 962 | 954 | 942 | 938 | 946 | 920 | 902 | 901 | 961 | 955 | 931 | 964 | 973 | 936 | 921 |
| 21 | 909 | 943 | 949 | 941 | 941 | 926 | 939 | 916 | 893 | 889 | 951 | 942 | 926 | 952 | 959 | 931 | 909 |
| 22 | 894 | 936 | 932 | 918 | 928 | 925 | 919 | 914 | 883 | 876 | 932 | 928 | 921 | 957 | 948 | 928 | 894 |
| 23 | 882 | 930 | 922 | 909 | 916 | 909 | 905 | 914 | 871 | 873 | 916 | 908 | 908 | 949 | 938 | 931 | 882 |
| 24 | 870 | 916 | 909 | 895 | 892 | 903 | 900 | 896 | 863 | 866 | 891 | 903 | 897 | 931 | 922 | 918 | 870 |
| 25 | 857 | 904 | 898 | 878 | 885 | 891 | 887 | 889 | 857 | 863 | 873 | 888 | 892 | 920 | 915 | 918 | 857 |
| 26 | 851 | 893 | 883 | 865 | 879 | 878 | 876 | 883 | 838 | 852 | 859 | 862 | 889 | 903 | 897 | 908 | 851 |
| 27 | 843 | 874 | 879 | 854 | 862 | 870 | 863 | 865 | 831 | 850 | 846 | 846 | 885 | 885 | 888 | 895 | 843 |
| 28 | 839 | 861 | 874 | 851 | 853 | 863 | 857 | 860 | 820 | 839 | 828 | 834 | 873 | 871 | 879 | 888 | 839 |
| 29 | 836 | 849 | 862 | 842 | 845 | 851 | 848 | 850 | 810 | 829 | 823 | 824 | 863 | 852 | 863 | 881 | 836 |

Laboratory: Standard-Tech Co. Ltd Testing Center
NVLAP CODE: 201011-0

Report Format Number STD/QR4909-A/2

Address: 8th floor, Block B, No. 11 Caipin Road, Guangzhou Science City, Tianhe, Guangzhou 510663, China

Tel: 8620-3229 0320 Fax: 8620-32290422 <http://www.standard-tech.com>

| | | | | | | | | | | | | | | | | | |
|----|-----|-----|-----|-----|-----|-----|-----|-----|-----|-----|-----|-----|-----|-----|-----|-----|-----|
| 30 | 830 | 835 | 849 | 832 | 837 | 834 | 836 | 837 | 809 | 823 | 817 | 816 | 848 | 842 | 851 | 868 | 830 |
| 31 | 829 | 822 | 838 | 835 | 823 | 832 | 828 | 830 | 803 | 812 | 807 | 797 | 841 | 827 | 844 | 853 | 829 |
| 32 | 823 | 808 | 828 | 826 | 810 | 818 | 811 | 822 | 804 | 799 | 798 | 785 | 824 | 811 | 822 | 838 | 823 |
| 33 | 819 | 791 | 816 | 825 | 806 | 812 | 804 | 808 | 797 | 787 | 788 | 778 | 808 | 798 | 812 | 827 | 819 |
| 34 | 814 | 780 | 803 | 813 | 799 | 797 | 788 | 796 | 791 | 779 | 776 | 769 | 795 | 785 | 798 | 808 | 814 |
| 35 | 803 | 774 | 792 | 808 | 796 | 787 | 780 | 787 | 780 | 764 | 763 | 760 | 784 | 775 | 788 | 794 | 803 |
| 36 | 796 | 765 | 778 | 794 | 790 | 775 | 769 | 779 | 772 | 758 | 753 | 751 | 774 | 768 | 772 | 780 | 796 |
| 37 | 782 | 761 | 769 | 777 | 784 | 768 | 755 | 769 | 759 | 749 | 739 | 741 | 761 | 759 | 758 | 771 | 782 |
| 38 | 769 | 748 | 763 | 762 | 780 | 755 | 753 | 759 | 746 | 736 | 726 | 730 | 751 | 752 | 740 | 751 | 769 |
| 39 | 750 | 746 | 752 | 747 | 774 | 739 | 743 | 747 | 728 | 729 | 710 | 720 | 738 | 742 | 730 | 747 | 750 |
| 40 | 739 | 745 | 731 | 732 | 758 | 732 | 734 | 734 | 709 | 724 | 699 | 708 | 729 | 735 | 717 | 730 | 739 |
| 41 | 724 | 738 | 721 | 717 | 738 | 721 | 720 | 722 | 702 | 712 | 690 | 700 | 718 | 713 | 701 | 722 | 724 |
| 42 | 712 | 727 | 718 | 702 | 717 | 707 | 701 | 709 | 685 | 700 | 677 | 684 | 699 | 708 | 686 | 716 | 712 |
| 43 | 695 | 717 | 704 | 686 | 705 | 691 | 686 | 693 | 667 | 684 | 666 | 673 | 682 | 700 | 681 | 703 | 695 |
| 44 | 680 | 705 | 686 | 673 | 684 | 679 | 671 | 673 | 643 | 666 | 653 | 656 | 677 | 684 | 670 | 697 | 680 |
| 45 | 659 | 697 | 686 | 659 | 664 | 659 | 650 | 655 | 609 | 647 | 644 | 640 | 657 | 667 | 652 | 690 | 659 |
| 46 | 638 | 683 | 677 | 639 | 644 | 639 | 631 | 637 | 583 | 623 | 633 | 629 | 642 | 650 | 641 | 679 | 638 |
| 47 | 615 | 663 | 659 | 629 | 628 | 620 | 614 | 612 | 567 | 593 | 619 | 617 | 622 | 631 | 628 | 662 | 615 |
| 48 | 583 | 644 | 651 | 615 | 618 | 599 | 595 | 584 | 550 | 565 | 602 | 602 | 613 | 612 | 621 | 635 | 583 |
| 49 | 560 | 617 | 633 | 603 | 605 | 584 | 577 | 562 | 530 | 544 | 587 | 584 | 597 | 595 | 613 | 607 | 560 |
| 50 | 548 | 585 | 619 | 590 | 600 | 568 | 561 | 542 | 504 | 521 | 570 | 565 | 586 | 578 | 597 | 578 | 548 |
| 51 | 530 | 555 | 600 | 580 | 591 | 547 | 541 | 523 | 424 | 501 | 550 | 548 | 576 | 556 | 590 | 559 | 530 |
| 52 | 503 | 544 | 585 | 563 | 580 | 534 | 523 | 503 | 282 | 472 | 527 | 526 | 562 | 543 | 567 | 539 | 503 |
| 53 | 426 | 524 | 559 | 552 | 564 | 518 | 502 | 456 | 129 | 398 | 501 | 507 | 542 | 527 | 559 | 520 | 426 |
| 54 | 275 | 507 | 539 | 540 | 540 | 501 | 481 | 336 | 31 | 254 | 472 | 488 | 520 | 517 | 537 | 498 | 275 |
| 55 | 120 | 452 | 520 | 522 | 519 | 485 | 460 | 182 | 20 | 108 | 445 | 472 | 499 | 498 | 517 | 427 | 120 |
| 56 | 35 | 313 | 491 | 506 | 502 | 469 | 433 | 54 | 17 | 26 | 426 | 451 | 480 | 481 | 495 | 272 | 35 |
| 57 | 26 | 151 | 457 | 490 | 484 | 451 | 414 | 19 | 16 | 17 | 407 | 432 | 445 | 473 | 468 | 112 | 26 |
| 58 | 23 | 40 | 435 | 468 | 452 | 428 | 399 | 16 | 14 | 15 | 389 | 410 | 408 | 454 | 443 | 30 | 23 |
| 59 | 21 | 23 | 415 | 448 | 405 | 409 | 385 | 14 | 13 | 13 | 368 | 384 | 391 | 436 | 419 | 22 | 21 |
| 60 | 20 | 20 | 392 | 424 | 382 | 381 | 364 | 13 | 11 | 12 | 293 | 355 | 372 | 408 | 399 | 19 | 20 |
| 61 | 18 | 18 | 374 | 393 | 366 | 354 | 290 | 12 | 10 | 11 | 158 | 331 | 353 | 380 | 373 | 18 | 18 |

Laboratory: Standard-Tech Co. Ltd Testing Center
 NVLAP CODE: 201011-0

Report Format Number STD/QR4909-A/2

Address: 8th floor, Block B, No. 11 Caipin Road, Guangzhou Science City, Tianhe, Guangzhou 510663, China

Tel: 8620-3229 0320 Fax: 8620-32290422 <http://www.standard-tech.com>

| | | | | | | | | | | | | | | | | | |
|----|----|----|-----|-----|-----|-----|-----|----|---|----|----|-----|-----|-----|-----|----|----|
| 62 | 16 | 17 | 335 | 357 | 346 | 337 | 163 | 10 | 9 | 10 | 43 | 317 | 333 | 356 | 288 | 17 | 16 |
| 63 | 15 | 16 | 215 | 333 | 330 | 318 | 45 | 9 | 8 | 9 | 12 | 297 | 316 | 333 | 146 | 15 | 15 |
| 64 | 14 | 14 | 82 | 314 | 310 | 298 | 12 | 8 | 7 | 8 | 10 | 279 | 296 | 309 | 34 | 14 | 14 |
| 65 | 13 | 14 | 19 | 296 | 289 | 277 | 10 | 7 | 6 | 7 | 9 | 258 | 269 | 288 | 16 | 13 | 13 |
| 66 | 12 | 12 | 15 | 276 | 266 | 257 | 9 | 6 | 6 | 6 | 8 | 236 | 196 | 264 | 14 | 12 | 12 |
| 67 | 11 | 12 | 13 | 257 | 204 | 237 | 8 | 6 | 5 | 5 | 7 | 188 | 124 | 241 | 12 | 11 | 11 |
| 68 | 11 | 11 | 12 | 234 | 134 | 182 | 7 | 5 | 5 | 5 | 6 | 116 | 104 | 178 | 11 | 10 | 11 |
| 69 | 10 | 11 | 11 | 174 | 113 | 115 | 6 | 5 | 4 | 4 | 5 | 89 | 90 | 106 | 10 | 9 | 10 |
| 70 | 10 | 10 | 10 | 103 | 102 | 95 | 5 | 4 | 4 | 4 | 5 | 78 | 79 | 89 | 10 | 8 | 10 |
| 71 | 10 | 10 | 10 | 86 | 90 | 83 | 5 | 4 | 4 | 4 | 4 | 66 | 69 | 78 | 9 | 9 | 10 |
| 72 | 10 | 10 | 9 | 78 | 77 | 71 | 4 | 3 | 3 | 3 | 3 | 53 | 56 | 68 | 8 | 9 | 10 |
| 73 | 9 | 9 | 9 | 70 | 64 | 59 | 3 | 3 | 3 | 3 | 3 | 26 | 27 | 53 | 8 | 9 | 9 |
| 74 | 9 | 9 | 8 | 49 | 43 | 41 | 3 | 3 | 3 | 3 | 2 | 5 | 4 | 8 | 7 | 9 | 9 |
| 75 | 9 | 9 | 8 | 7 | 3 | 6 | 2 | 3 | 2 | 2 | 2 | 3 | 3 | 7 | 7 | 8 | 9 |
| 76 | 9 | 9 | 8 | 6 | 3 | 3 | 2 | 2 | 2 | 2 | 2 | 3 | 3 | 6 | 7 | 8 | 9 |
| 77 | 9 | 9 | 7 | 6 | 2 | 2 | 2 | 2 | 2 | 2 | 2 | 2 | 2 | 6 | 7 | 8 | 9 |
| 78 | 8 | 9 | 7 | 6 | 2 | 2 | 2 | 2 | 2 | 1 | 1 | 2 | 2 | 5 | 7 | 8 | 8 |
| 79 | 8 | 9 | 8 | 5 | 2 | 2 | 1 | 1 | 1 | 1 | 1 | 2 | 2 | 5 | 7 | 8 | 8 |
| 80 | 7 | 8 | 7 | 5 | 2 | 1 | 1 | 1 | 1 | 1 | 1 | 1 | 1 | 5 | 7 | 7 | 7 |
| 81 | 6 | 7 | 7 | 5 | 1 | 1 | 1 | 1 | 1 | 1 | 1 | 1 | 1 | 4 | 6 | 6 | 6 |
| 82 | 6 | 6 | 7 | 5 | 1 | 1 | 1 | 1 | 1 | 1 | 1 | 0 | 1 | 4 | 6 | 6 | 6 |
| 83 | 6 | 6 | 6 | 4 | 1 | 0 | 1 | 1 | 1 | 1 | 1 | 0 | 1 | 4 | 5 | 6 | 6 |
| 84 | 6 | 6 | 6 | 4 | 1 | 0 | 1 | 1 | 1 | 1 | 1 | 0 | 0 | 3 | 5 | 6 | 6 |
| 85 | 6 | 6 | 5 | 4 | 0 | 0 | 1 | 1 | 1 | 1 | 0 | 0 | 0 | 3 | 5 | 5 | 6 |
| 86 | 5 | 6 | 5 | 4 | 0 | 0 | 0 | 1 | 1 | 1 | 0 | 0 | 0 | 3 | 4 | 4 | 5 |
| 87 | 3 | 4 | 5 | 3 | 0 | 0 | 0 | 0 | 1 | 0 | 0 | 0 | 0 | 3 | 3 | 2 | 3 |
| 88 | 1 | 2 | 3 | 3 | 0 | 0 | 0 | 0 | 0 | 0 | 0 | 0 | 0 | 1 | 1 | 1 | 1 |
| 89 | 0 | 0 | 1 | 3 | 0 | 0 | 0 | 0 | 0 | 0 | 0 | 0 | 0 | 0 | 0 | 0 | 0 |
| 90 | 0 | 0 | 0 | 0 | 0 | 0 | 0 | 0 | 0 | 0 | 0 | 0 | 0 | 0 | 0 | 0 | 0 |

| | |
|--|-----------------------|
| 2.2 Electrical, Photometric and Chromaticity Measurements (Refer to Work Instruction QD25) | IES LM-79 2008 |
|--|-----------------------|

| | | | |
|-------------------------|--|---------------------------------|----------|
| Test date | 2014-07-29 | Test Ambient: | 25.2 ° C |
| Test Orientation | Lighting Downward, light surface parallel to horizontal line | Stabilization Time (min) | 90 |
| Model Number | 71342 | | |

Electrical Measurement:

| Sample No. | Voltage (Vac) | Frequency (Hz) | Current (A) | Power (W) | Power Factor | THD % |
|------------|---------------|----------------|-------------|-----------|--------------|-------|
| 140709-30 | 120.0 | 60 | 0.2451 | 28.84 | 0.9804 | 14.87 |
| | 277.0 | 60 | 0.1195 | 29.91 | 0.9036 | 15.84 |

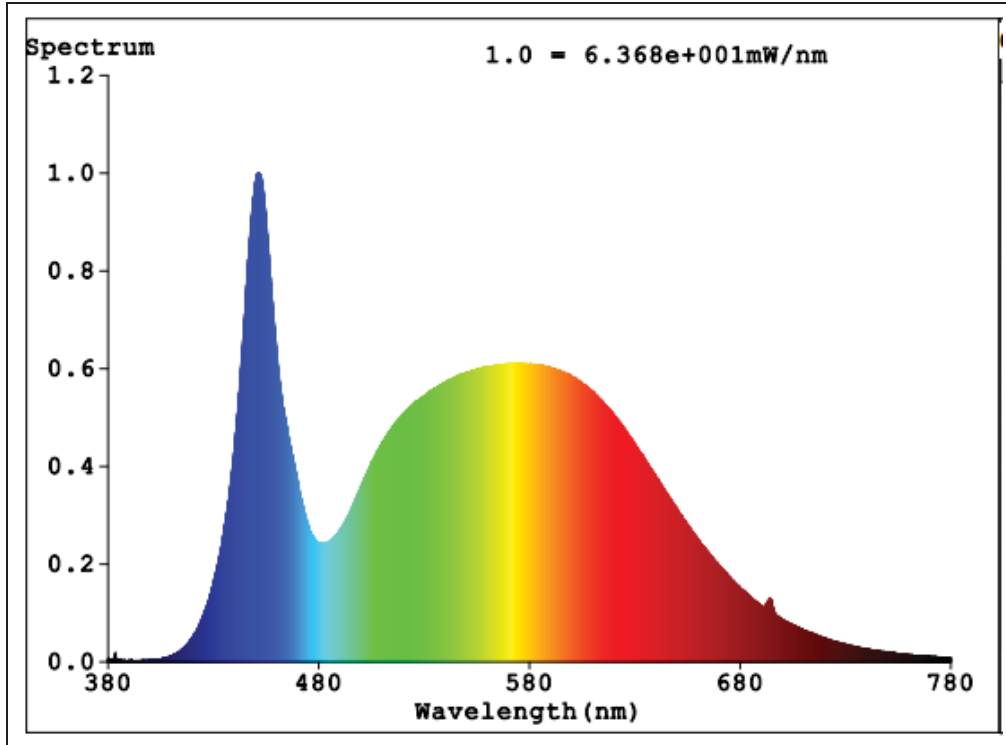
Sphere-Spectroradiometer Method:

| Parameter | Result |
|-----------------------------|---------------------|
| Test Voltage (V) | 120.0 |
| Frequency (Hz) | 60 |
| Color Rendering Index (CRI) | 83.5 |
| R9 | 16 |
| CCT (K) | 5019 |
| Chromaticity (x, y) | x=0.3449 y=0.3554 |
| Chromaticity (u', v') | u'=0.2099 v'=0.4865 |
| Duv | 0.0019 |
| Total Luminous (lm) | 2732.7 |
| Luminous Efficacy (lm/W) | 94.75 |

| Special Color Rendering Indices | | | |
|---------------------------------|----|-----|----|
| R1 | 82 | R9 | 16 |
| R2 | 88 | R10 | 70 |
| R3 | 91 | R11 | 82 |
| R4 | 84 | R12 | 61 |
| R5 | 83 | R13 | 83 |
| R6 | 83 | R14 | 95 |
| R7 | 88 | R15 | 78 |
| R8 | 70 | -- | -- |

Spectral Power Distribution

Spectral Power Distribution:



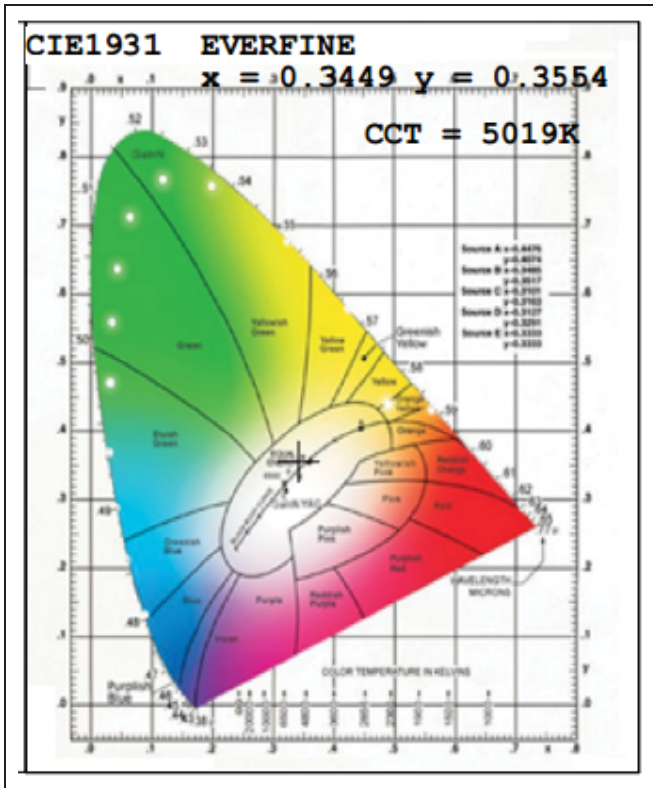
Laboratory: Standard-Tech Co. Ltd Testing Center
NVLAP CODE: 201011-0

Report Format Number STD/QR4909-A/2

Address: 8th floor, Block B, No. 11 Caipin Road, Guangzhou Science City, Tianhe, Guangzhou 510663, China

Tel: 8620-3229 0320 Fax: 8620-32290422 <http://www.standard-tech.com>

Chromaticity Diagram



Laboratory: Standard-Tech Co. Ltd Testing Center
 NVLAP CODE: 201011-0

Report Format Number STD/QR4909-A/2

Address: 8th floor, Block B, No. 11 Caipin Road, Guangzhou Science City, Tianhe, Guangzhou 510663, China

Tel: 8620-3229 0320 Fax: 8620-32290422 <http://www.standard-tech.com>

3. Test Equipment

| Equipment ID | Equipment Name | Last Calibration Date | Next Calibration Date |
|--------------|------------------------------------|-----------------------|-----------------------|
| ST-R-336 | 2 meter Integrating Sphere | 2014-07-01 | 2015-06-30 |
| ST-R-331 | Spectral analysis system HAAS-2000 | 2014-07-01 | 2015-06-30 |
| D204 | Standard Lamp | 2014-07-01 | 2015-06-30 |
| PF2010 | Power Meter for Integrating Sphere | 2014-07-01 | 2015-06-30 |
| EE-09 | Goniophotometer system | 2014-07-01 | 2015-06-30 |
| D908S | Standard Lamp | 2014-07-01 | 2015-06-30 |
| PF210 | Power Meter for Goniophotometer | 2014-07-01 | 2015-06-30 |
| ST-R-181A | Temperature Tester | 2014-07-01 | 2015-06-30 |

******* END OF DATASHEET PACKAGE *******