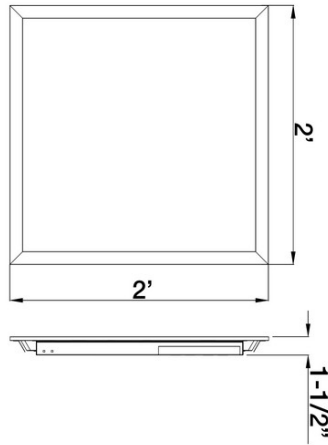
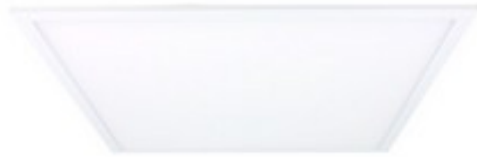




MORRIS CAT#: 71178B
 LED Backlit Panels Gen 2 2X2 DLC Standard
 40W 4000K



Features:

LED Backlit Panels Gen 2 2X2 DLC Standard 35W 4000K features include:

- PMMA Lens
- Flicker Free Driver
- Dimming: 0-10V
- Voltage: 120-277V
- Color Temp: 4000K
- Wattage: 35W
- 50,000+ Hour LED Life Expectancy
- Beam Angle: 120°
- Aluminum Backplate & Frame
- Operating Temperature: -4°F to 113°F
- UL listed
- IP40 Rated
- DLC PRODUCT ID#: S-GVHQXJ
- 5 Year Warranty
- Order Qty of 4 = 1 Case of 4

CAT. NO.	FIXTURE TYPE	FIXTURE HEIGHT	SIZE	COLOR TEMP	WATTS	VOLTS	LUMENS	LM/W	REPLACES FLUORESCENT	ORDER IN CASE QTY	EACH
71178B	BACKLIT	1-1/2"	2X2	4000K	35W	120-277V	4287	126	64-128W	4	

2X2 DLC STANDARD