



71158C - SLIM-LINE WALLPACK

80/100/120W 3000/4000/5000K 120-277V



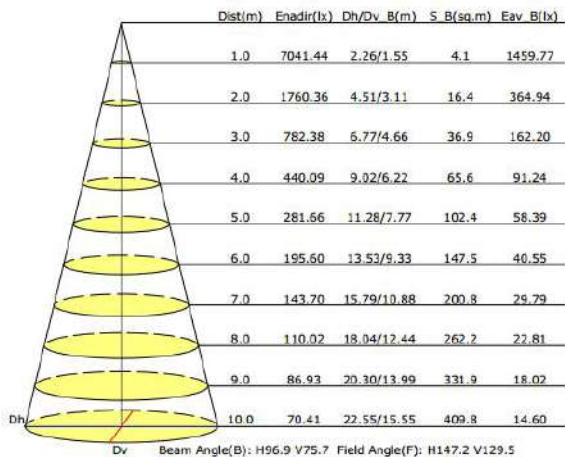
FEATURES:

- Color Selectable: 3000K/4000K/5000K
- Wattage Selectable: 80W/100W/120W
- Photocell Included
- IP65 Wet Location Rated
- Operating Temp: -40°C TO 50°C
- 5 Year Warranty
- 0-10V Dimming
- Can be used as both a floodlight or wallpack
- Corrosion Resistant, Adjustable Die Cast Aluminum Housing
- 2.5kV Surge Protection

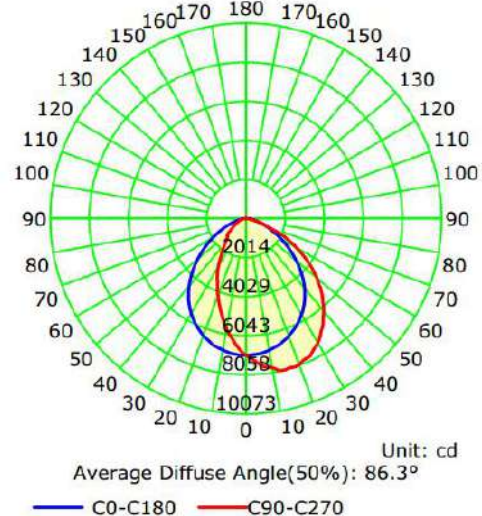
Part#	Wattage	Housing Color	Max Lumens	CCT	Voltage	Dimming	Light Pattern	Lumens/Watt	DLC ID
71158C	80/100/120W	Bronze	16,740	3/4/5K	120-277	0-10V	90° X 110°	140	S-5GLSQN

PHOTOMETRY:

Illuminance at a Distance



Luminous Intensity Distribution Curve





71158C - SLIM-LINE WALLPACK

80/100/120W 3000/4000/5000K 120-277V

TECHNICAL SPECIFICATIONS:

ELECTRICAL:

Input Voltage: 120-277VAC

Current: 0.976

Frequency: 50/60Hz

Power Factor: ≥ 0.9

THD: $\leq 20\%$

PRODUCT PARAMETERS:

80/100/120 Wattage Selectable

Lumens: 16,740

Efficacy: 140 lumens per watt

50,000+ LED Life Span

Color Selectable:

3000K/4000K/5000K

CHROMACITY MEASUREMENTS:

Beam Angle: 90° X 110°

CRI: >70

R9: -24

BUG: B2-U2-G1

DUV: 0.0025

Chromacity (x,y): x= 0.3847 y= 0.3740

Chromacity (u',v'): u(u')= 0.2290 v'(v')=0.5010

COMPONENT SPECIFICATIONS:

LED: SMD3030

Driver: DAERMAY

Surge Protection: 2kV

Dimming: 0-10V

Operating temperature: -40°C TO 50°C

CONSTRUCTION:

Housing: Die cast aluminum housing, powder coated - Bronze

IP Rating: IP65 Wet Location Rated

Lens Material: PC Lens

Mounting: Wall Mount

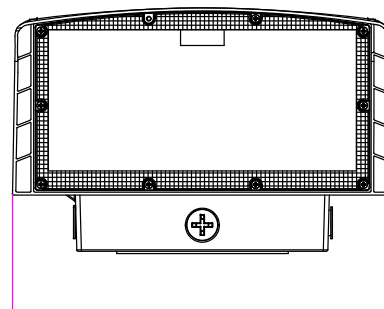
LISTINGS: cULus Listed, DLC Premium: S-5GLSQN

WARRANTY:

Morris Products carries a 5 year warranty from date of purchase against defects in materials and workmanship (assuming normal and proper usage).

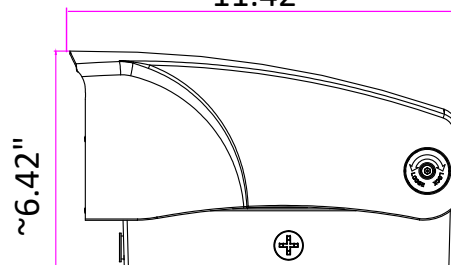
LUMEN BREAKDOWN:

	120W	100W	80W
3000K	15600LM	13100LM	10800LM
4000K	16740LM	14600LM	11920LM
5000K	16710LM	14000LM	11520LM



~9.96"

~11.42"



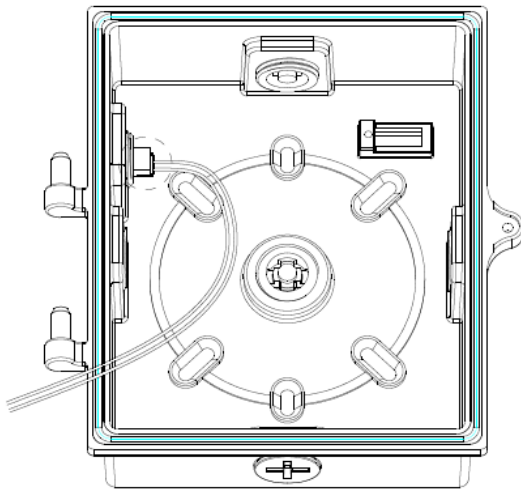
~6.42"



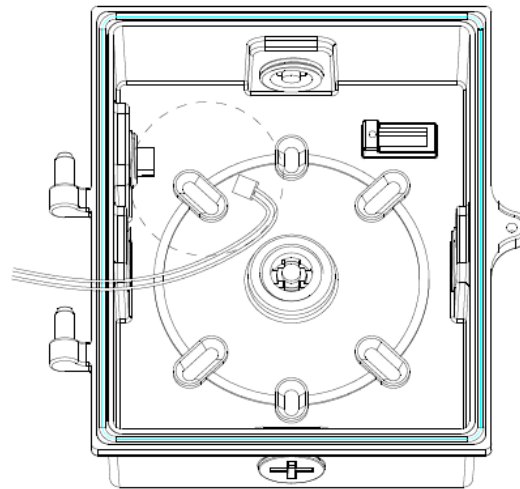
71158C - SLIM-LINE WALLPACK

80/100/120W 3000/4000/5000K 120-277V

PHOTOCELL ON



PHOTOCELL OFF



To turn the photocell on, connect the cable as seen in the above image. To disable the photocell, disconnect the cable.