



71154C - SLIM-LINE WALLPACK

30/40/50W 3000/4000/5000K 120-277V

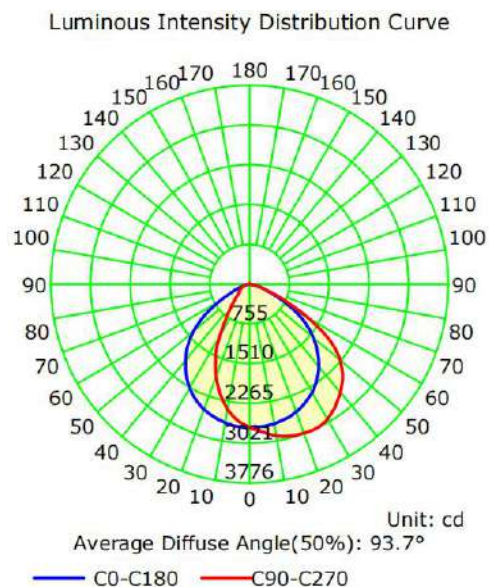
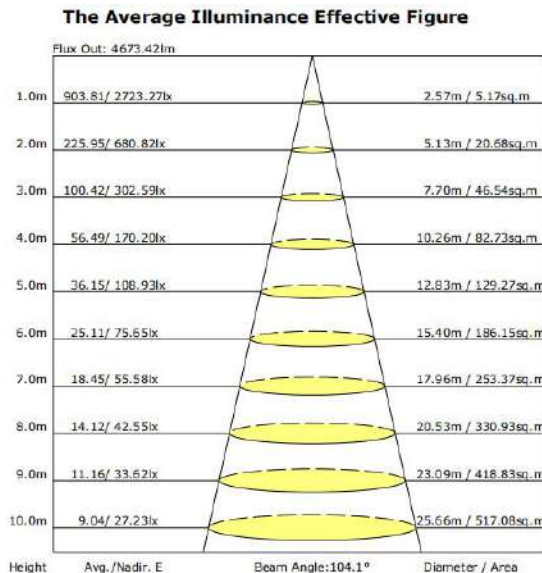


FEATURES:

- Color Selectable: 3000K/4000K/5000K
- Wattage Selectable: 30W/40W/50W
- Photocell Included
- IP65 Wet Location Rated
- Operating Temp: -40°C TO 50°C
- 5 Year Warranty
- 0-10V Dimming
- Can be used as both a floodlight or wallpack
- Corrosion Resistant, Adjustable Die Cast Aluminum Housing
- 2.5kV Surge Protection

Part#	Housing Color	Wattage	Max Lumens	CCT	Voltage	Dimming	Light Pattern	Lumens/Watt	DLC ID
71154C	Bronze	30/40/50W	6,880	3/4/5K	120-277	0-10V	90° X 110°	137	S-A8ZFWU

PHOTOMETRY:





71154C - SLIMLINE WALLPACK

30/40/50W 3000/4000/5000K 120-277V

TECHNICAL SPECIFICATIONS:

ELECTRICAL:

Input Voltage: 120-277VAC

Current: 0.416

Frequency: 50/60Hz

Power Factor: ≥ 0.9

THD: $\leq 20\%$

PRODUCT PARAMETERS:

30/40/50 Wattage Selectable

Lumens: 6880

Efficacy: 137 lumens per watt

50,000+ LED Life Span

Color Selectable:

3000K/4000K/5000K

CHROMACITY MEASUREMENTS:

Beam Angle: 90° X 110°

CRI: >70

R9: -39

BUG: B2-U2-G1

DUV: 0.0020

Chromacity (x,y): x= 0.3838 y= 0.3832

Chromacity (u',v'): u(u')= 0.2249 v'=0.5049

COMPONENT SPECIFICATIONS:

LED: SMD3030

Driver: DAERMAY

Surge Protection: 2kV

Dimming: 0-10V

Operating temperature: -40°C TO 50°C

CONSTRUCTION:

Housing: Die cast aluminum housing, powder coated - Bronze

IP Rating: IP65 Wet Location Rated

Lens Material: PC Lens

Mounting: Wall Mount

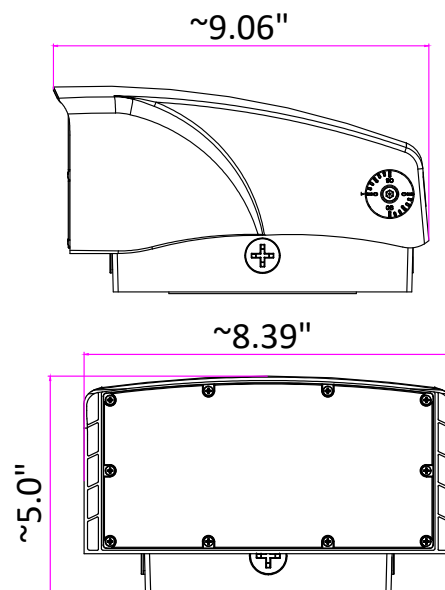
LISTINGS: cULus Listed, DLC Premium: S-A8ZFWU

WARRANTY:

Morris Products carries a 5 year warranty from date of purchase against defects in materials and workmanship (assuming normal and proper usage).

LUMEN BREAKDOWN:

	50W	40W	30W
3000K	6330LM	5120LM	3900LM
4000K	6880LM	5720LM	4350LM
5000K	6620LM	5360LM	4080LM

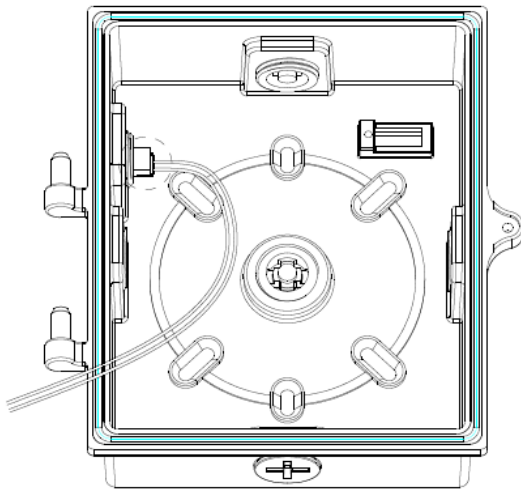




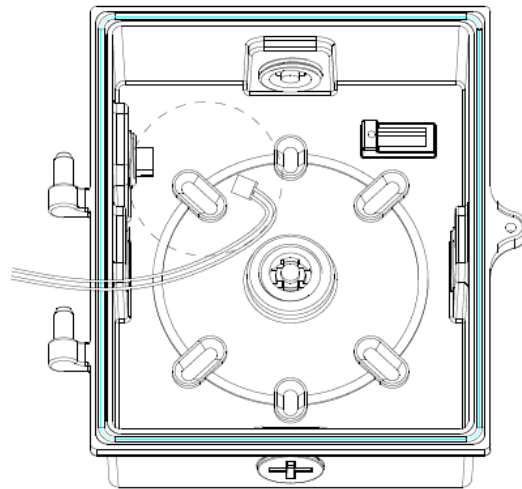
71154C - SLIMLINE WALLPACK

30/40/50W 3000/4000/5000K 120-277V

PHOTOCELL ON



PHOTOCELL OFF



To turn the photocell on, connect the cable as seen in the above image. To disable the photocell, disconnect the cable.