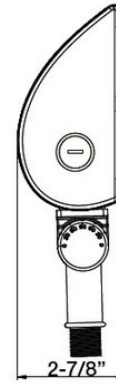
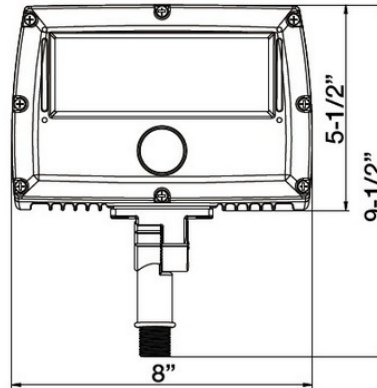




# 71135B - ARCHITECTURAL FLOOD LIGHT

20W 120-277V 5000K WHITE

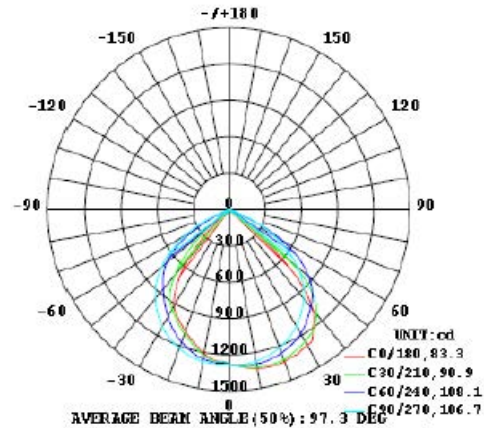
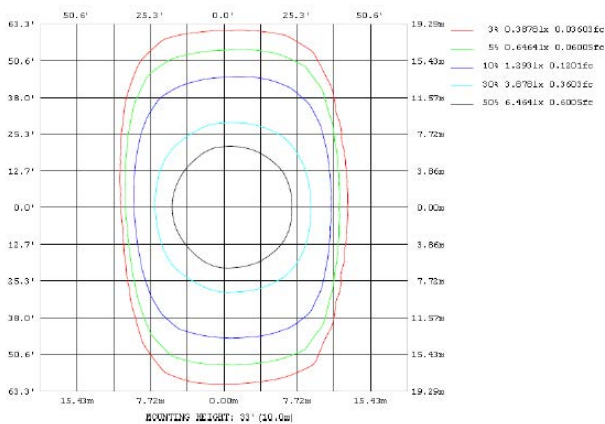


## FEATURES:

- Replaces HID, Metal Halide or high pressure sodium floods
- Integral Cooling Fin releases heat efficiently to maintain the Life of LED's & LED Driver
- Corrosion resistant Die Cast Aluminum Housing
- Polycarbonate Lens
- Housing Color: White
- Superior Architectural Powder Coat Finish
- Operating Temperature: -40°F to 104°F
- 50,000+ Hour life expectancy
- IP65 rated
- Listings: cETLus
- DLC PRODUCT ID#: PLOECAVHT7R5
- Stainless steel hardware

Part#	Housing Color	Wattage	Lumens	CCT	Voltage	Beam Angle	Lumens/Watt	DLC PRODUCT ID #:
71135B	White	20W	2,640	5000K	120/208/240/277V	Wide Beam	132lm/w	PL0ECAVHT7R5

## PHOTOMETRY





# 71135B - ARCHITECTURAL FLOOD LIGHT

20W 120-277V 5000K WHITE

## Technical Specifications:

### **Electrical:**

Input Voltage: 120/208/240/277V

Current: .0.08A @ 120V

Frequency: 60Hz

Power Factor:  $\geq 0.9$

THD: 6% @ 120V

### **Product Parameters:**

20 Watts

Efficacy: 132 lumens per watt

50,000+ LED Life Span

CCT: 5000k (Cool White)

### **Chromaticity Measurements:**

Beam Angle: 97.3°

CRI: 70

R9: -22

DUV: 0.0023 Chromaticity (x,y):

x=0.3457; y= 0.3567 Chromaticity (u,v):

u=0.2098; v= 0.4872

### **Component Specifications:**

LED: SMD2835

Driver: 120/208/240/277V

Frequency: 50-60HZ

**Dimming: N/A**

### **Operating Temperature:**

Minimum Starting: -40°F to 104°F

### **Construction:**

Housing: Corrosion resistant Die Cast Aluminum Housing

IP Rating: IP65 Wet Location

Lens Material: Polycarbonate

Mounting: 1/2" Adjustable Knuckle, Trunion Mount (Sold Separately)

### **Listings:**

cETLus

DLC PRODUCT ID#: PL0ECAVHT7R5

Accessories Available (Sold Separately):

75353B - Trunion Mount

### **Warranty:**

Morris Products carries a 5 year warranty from date of purchase against defects in materials and workmanship (assuming normal and proper usage).