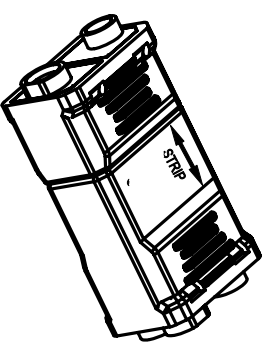
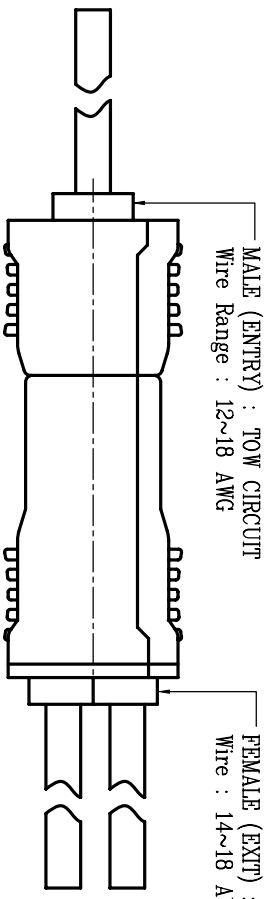
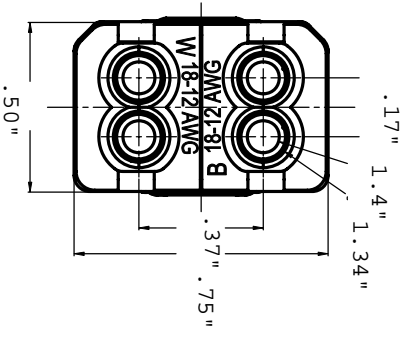
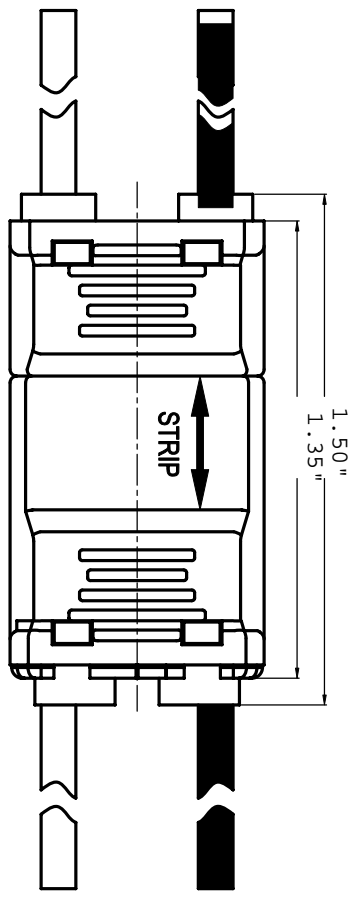
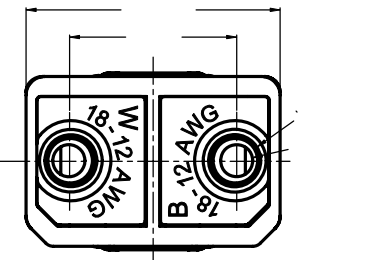
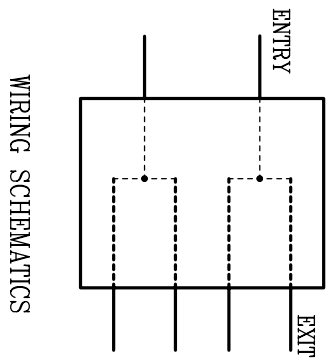


MARKS	MODIFICATION	QTY.	CHG. BY	DATE



3D VIEW

- NOTICE :
- 1) MATERIAL:
HOUSING - NYLON 94V2
TERMINAL - COPPER ALLOY
 - 2) RATINGS:
3.0 A 120VAC ; 1.3 A 277VAC ; 1.04 A 347VAC ; 0.75A 480VAC
0.6A 600VAC ; 6A 600VAC
INSULATION TEMPERATURE - 105°C
 - 3) WIRE:
MALE CONNECTOR - 12AWG-18AWG SOLID AND TIN BONDED STRANDED
FEMALE CONNECTOR - 14AWG-18AWG SOLID AND TIN BONDED STRANDED
WIRE STRIP LENGTH - 10.0 MM
 - 4) cULus RECOGNISED



WIRING SCHEMATICS

DRW. NO.	TIT. NO.	PAR. NO.	FIN. NO.	MOD. NO.
				23004
REV. NO.	FINISH	DWN. BY	CHK. BY	APP. BY
03		LIU		
UNIT	SCALE	DATE	DATE	DATE
mm	NOT SCALE	NOV 09, 2011		

TOLERANCE UNLESS OTHERWISE SPECIFIED
X = ±0.2 .X = ±0.15 .XX = ±0.10 < = ±1°



SHEET 1 OF 1

Morris Products Inc.

1 2 3 4 5 6 7 8 9 10