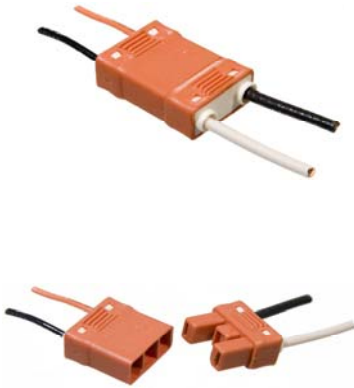




Catalog Number 23002
UPC Number 60198623002
Description 2 Pole Luminaire/Ballast Disconnect
2 Port Load Side/2 Port Line Side



Features

- 2 Pole Luminaire Disconnect
- Rated for Solid or Tinned Stranded Copper Conductor
- Push-In Wire Entry
- Durable Touch Proof Nylon UL 94V-O Rated Housing
- Keyed Male/Female Pluggable Mating System
- Meets NEC Requirement for Ballast Disconnect Commercial Lighting applications

General

Material: Pure Electrolytic Copper Terminations
Housing Material: UL94V-O Nylon
Wire Range: #14 awg - #12 awg Load Side
#18 awg Line Side
Mate/UnMateForce: 3-8 lbs

Dimension Information

Length: 1.38"
Height: .47"
Width: .89"

Specifications

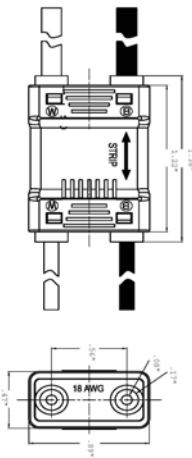
Temperature Rating 105°C
Voltage Rating 600
Flammability Rating UL 94V-0
Amp Rating 3A @120V, 1.3A @ 277V, .75A @ 480V

Packaging

Box Qty 25

Certifications

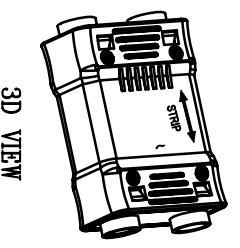
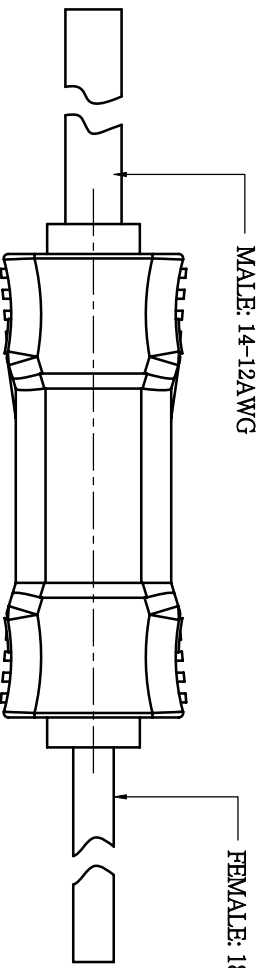
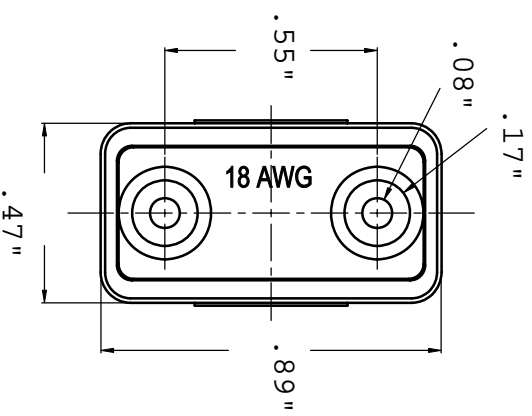
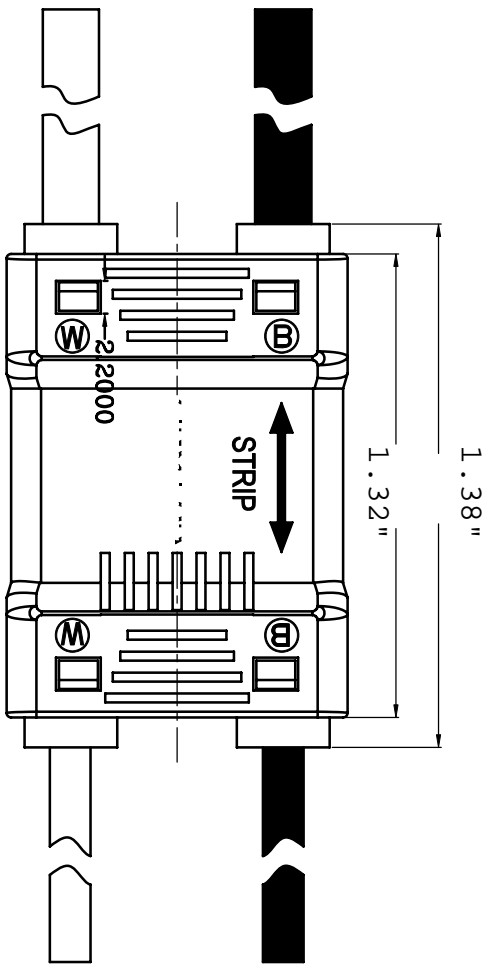
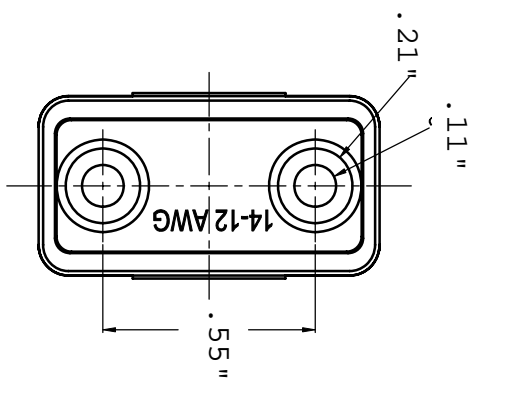
UL UL 2459
CSA CSA 182.3
Compliant with National E N/A
& Canadian Electrical Code (CEC 30-308(4))



www.morrisproducts.com

Morris Products 53 Carey Road, Queensbury, NY 12804

MARKS	MODIFICATION	QTY.	CHG. BY	DATE



NOTICE :

1) MATERIAL:
 HOUSING - NYLON 94V0
 TERMINAL - COPPER ALLOY

2) RATINGS:
 3.0 A 120VAC ; 1.3 A 277VAC ;
 1.04 A 347VAC ; 0.75A 480VAC
 INSULATION TEMPERATURE - 105°C

3) WIRE:
 MALE CONNECTOR - 12AWG&14AWG SOLID AND TIN BONDED STRANDED
 FEMALE CONNECTOR - 18AWG SOLID AND TIN BONDED STRANDED
 WIRE STRIP LENGTH - 9.0 MM

4) CULUS RECOGNISED

DRN. NO.	TIT. NO.	PAR. NO.	RUN. NO.	MOD. NO.
REV. NO.	FINISH	DWN. BY	CHY. BY	APP. BY
03		LIU		
UNIT	SCALE	DATE	DATE	DATE
mm	NOT SCALE	NOV 09, 2011		
TOLERANCE UNLESS OTHERWISE SPECIFIED				
X = ±0.2	.X = ±0.15	.XX = ±0.10	∠ = ±1°	SHEET OF

Morris Products Inc.

1 2 3 4 5 6 7 8 9 10