



Catalog Number See Table
UPC Number
Description Cable Tie - Colors - Various
 50 Lb Tensile Strength



Features

- Durable Nylon 6/6 Material
- Low Profile Locking Head
- Bent Tip for ease of insertion into locking head
- Various colors

General

Material: Nylon 6/6
Flammability: UL94V-2
Colors: Various

Dimension Information

Length: 11"
Width: .187"
Bundle Dia: 3"

Specifications

Temperature Rating Negative 40 to 185⁰ F
Voltage Rating 600
Flammability Rating UL 94V-2
Tensile Strength: 50 Lbs

Packaging

Bag Qty 100

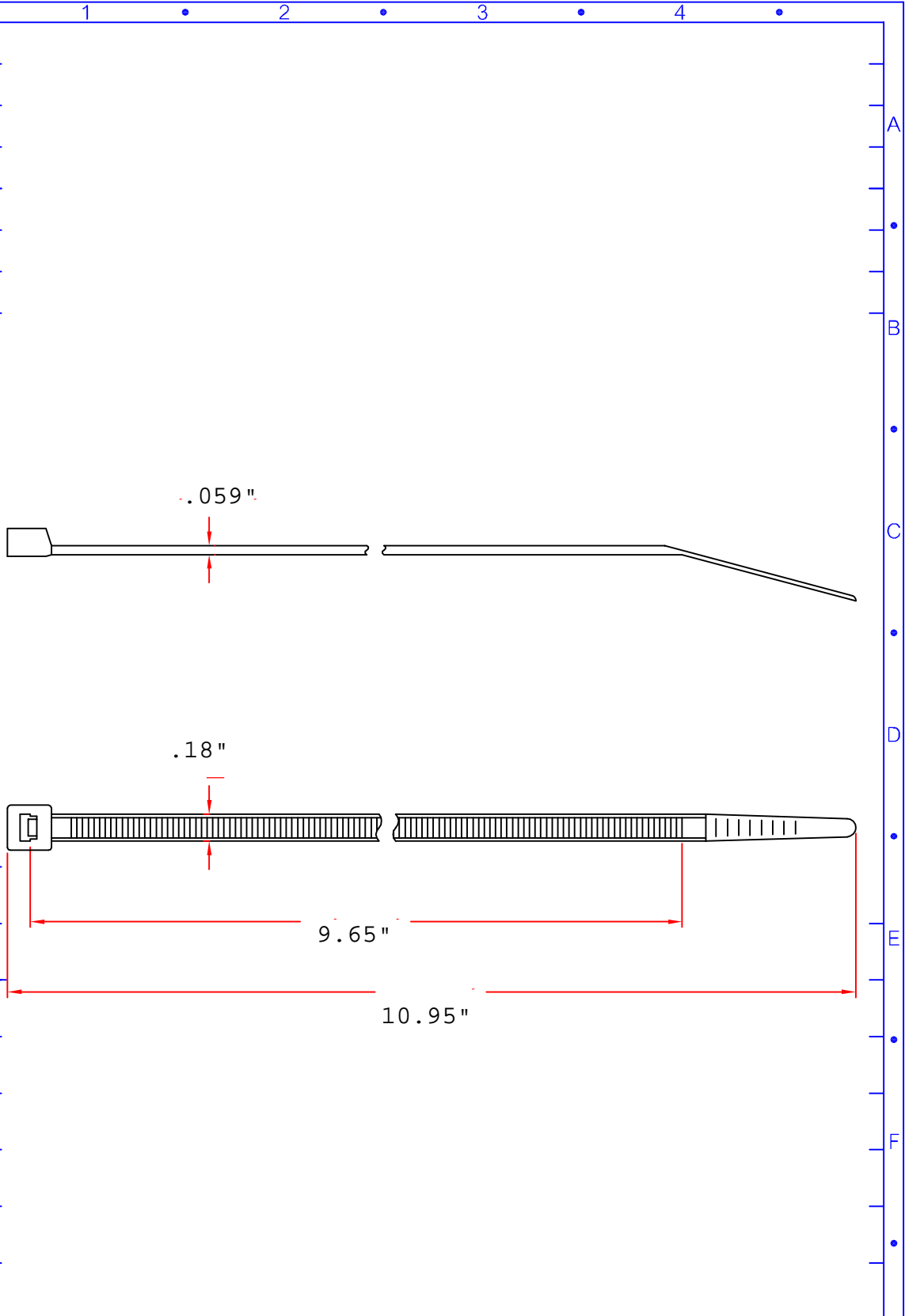
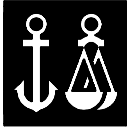
Certifications

UL Yes
CSA Yes
ROHS Yes

Cat No.	Color	Bag Qty	Master Bag Qty	PER 100
20631	Red	100	1000	
20633	Yellow	100	1000	
20634	Green	100	1000	
20635	Blue	100	1000	
20637	Orange	100	1000	
20638	Gray	100	1000	

www.morrisproducts.com

Morris Products 53 Carey Road, Queensbury, NY 12804



Morris Products Queensbury NY		MATERIAL-UL 94V-2 NYLON 66	ITEM NO. 20367
SCALE		50 LBS Tensile	NAME NYLON CABLE TIE
△	(. . .)	Orange	△ 03-22-2007 DATE REVISIONS K001
			R.NO.