



Catalog Number See Table
UPC Number
Description Cable Tie - Colors - Various
 50 Lb Tensile Strength



Features

- Durable Nylon 6/6 Material
- Low Profile Locking Head
- Bent Tip for ease of insertion into locking head
- Various colors

General

Material: Nylon 6/6
Flammability: UL94V-2
Colors: Various

Dimension Information

Length: 11"
Width: .187"
Bundle Dia: 3"

Specifications

Temperature Rating Negative 40 to 185⁰ F
Voltage Rating 600
Flammability Rating UL 94V-2
Tensile Strength: 50 Lbs

Packaging

Bag Qty 100

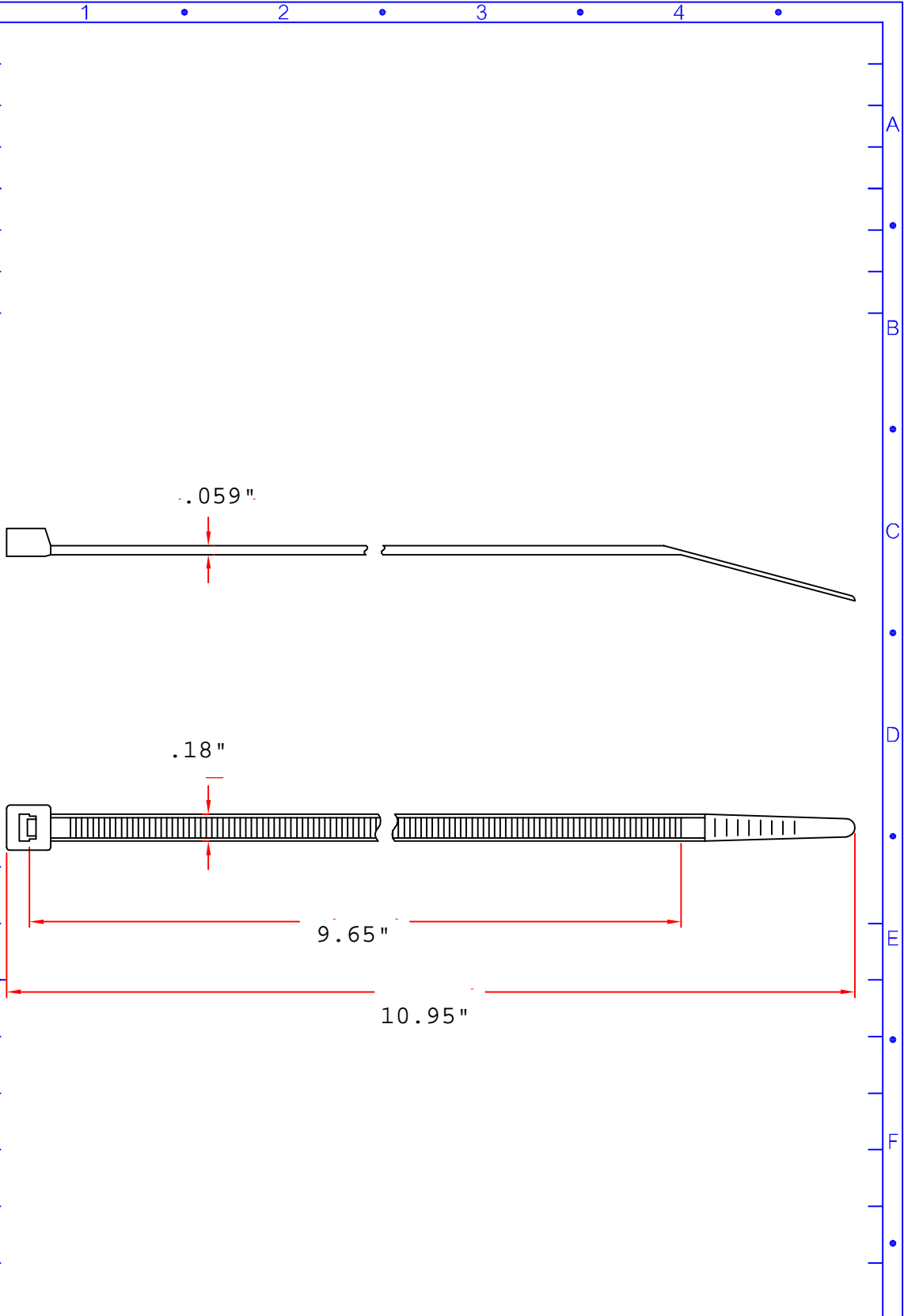
Certifications

UL Yes
CSA Yes
ROHS Yes

| Cat No. | Color | Bag Qty | Master Bag Qty | PER 100 |
|---------|--------|---------|----------------|---------|
| 20631 | Red | 100 | 1000 | |
| 20633 | Yellow | 100 | 1000 | |
| 20634 | Green | 100 | 1000 | |
| 20635 | Blue | 100 | 1000 | |
| 20637 | Orange | 100 | 1000 | |
| 20638 | Gray | 100 | 1000 | |

www.morrisproducts.com

Morris Products 53 Carey Road, Queensbury, NY 12804



| | | | | | |
|----------------------------------|---------|-------------------|-------------------------|--------------------|----------------|
| Morris Products Queensbury NY | | MATERIAL | UL 94V-2 NYLON 66 | ITEM NO. | 20633 |
| SCALE | | 50 LBS Tensile | NAME NYLON CABLE TIE | | |
| △ | (. .) | Yellow | △ | 03-22-2007 DATE | REVISIONS K001 |
| | | | | | R.NO. |