



<b>Catalog Number</b>	See Table
<b>UPC Number</b>	
<b>Description</b>	Cable Tie - Colors - Various 50 Lb Tensile Strength



#### Features

- Durable Nylon 6/6 Material
- Low Profile Locking Head
- Bent Tip for ease of insertion into locking head
- Various colors

#### General

Material:	Nylon 6/6
Flammability:	UL94V-2
Colors:	Various

#### Dimension Information

Length:	8"
Width:	.179"
Bundle Dia:	2"

#### Specifications

Temperature Rating	Negative 40 to 185 <sup>0</sup> F
Voltage Rating	600
Flammability Rating	UL 94V-2
Tensile Strength:	50 Lbs

#### Packaging

Bag Qty	100
---------	-----

#### Certifications

UL	Yes
CSA	Yes
ROHS	Yes

[www.morrisproducts.com](http://www.morrisproducts.com)

Morris Products 53 Carey Road, Queensbury, NY 12804



Cat No.	Color	Bag Qty	Master Bag Qty	
20611	Red	100	1000	
20613	Yellow	100	1000	
20614	Green	100	1000	
20615	Blue	100	1000	
20616	Brown	100	1000	
20617	Orange	100	1000	
20618	Gray	100	1000	
20619	Purple	100	1000	
20623	Fluorescent Yellow	100	1000	
20624	Fluorescent Green	100	1000	
20625	Fluorescent Blue	100	1000	
20626	Fluorescent Pink	100	1000	
20627	Fluorescent Orange	100	1000	

[www.morrisproducts.com](http://www.morrisproducts.com)

Morris Products 53 Carey Road, Queensbury, NY 12804

**RU**  
E97527

**GL**  
14515-99 HH

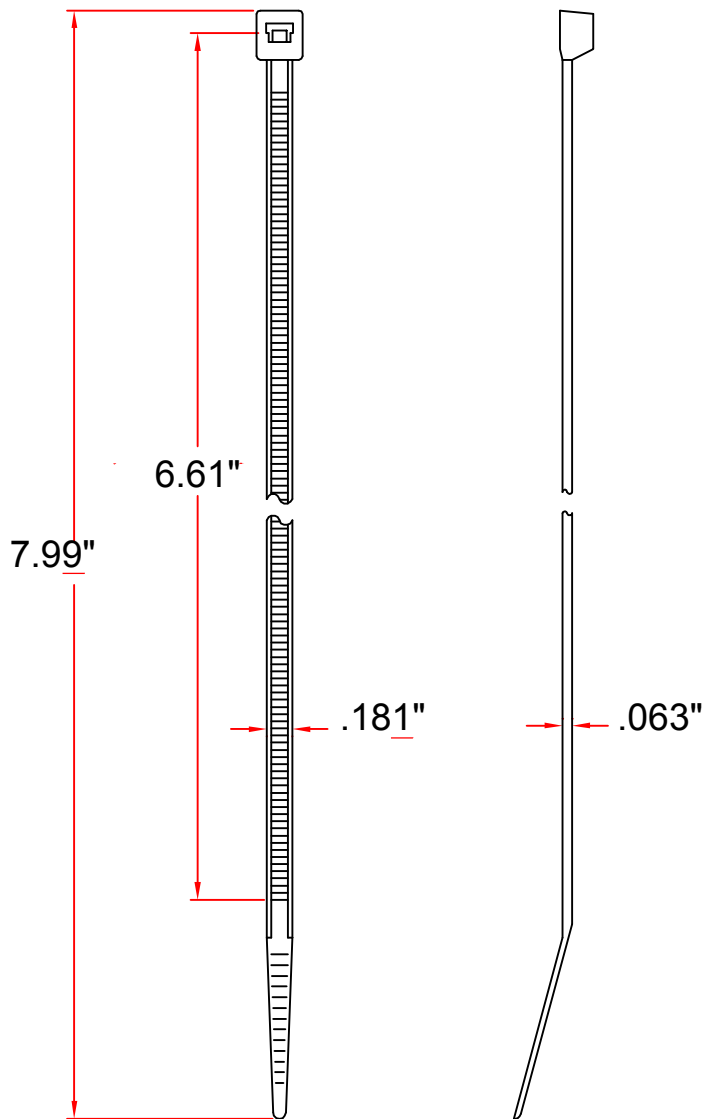


**DNV**  
E-4988

**Lloyd's Register**  
06/10038

1          2          3          4

A  
B  
C  
D  
E  
F



MATERIAL: UL 94V-2  
NYLON 66

ITEM NO. 20619

SCALE

Color: Purple

NAME

NYLON CABLE TIE



Morris Products  
Queensbury NY



03-20-2007  
DATE

REVISIONS K001

R.NO.