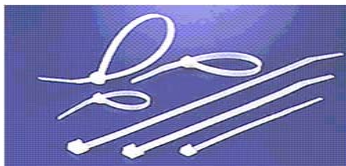




Catalog Number See Table
UPC Number
Description Releasable Cable Tie
 Natural

Features



- Durable Nylon 6/6 Material
- Low Profile Locking Head
- Bent Tip for ease of insertion into locking head
- Releasable Tang

General

Material: Nylon 6/6
Flammability: UL94V-2
 Releasable tang

Dimension Information

Length: See Table
Width: See Table
Bundle Dia: See Table

Specifications

Temperature Rating Negative 40 to 185⁰ F
Voltage Rating 600
Flammability Rating UL 94V-2
Tensile Strength: Various

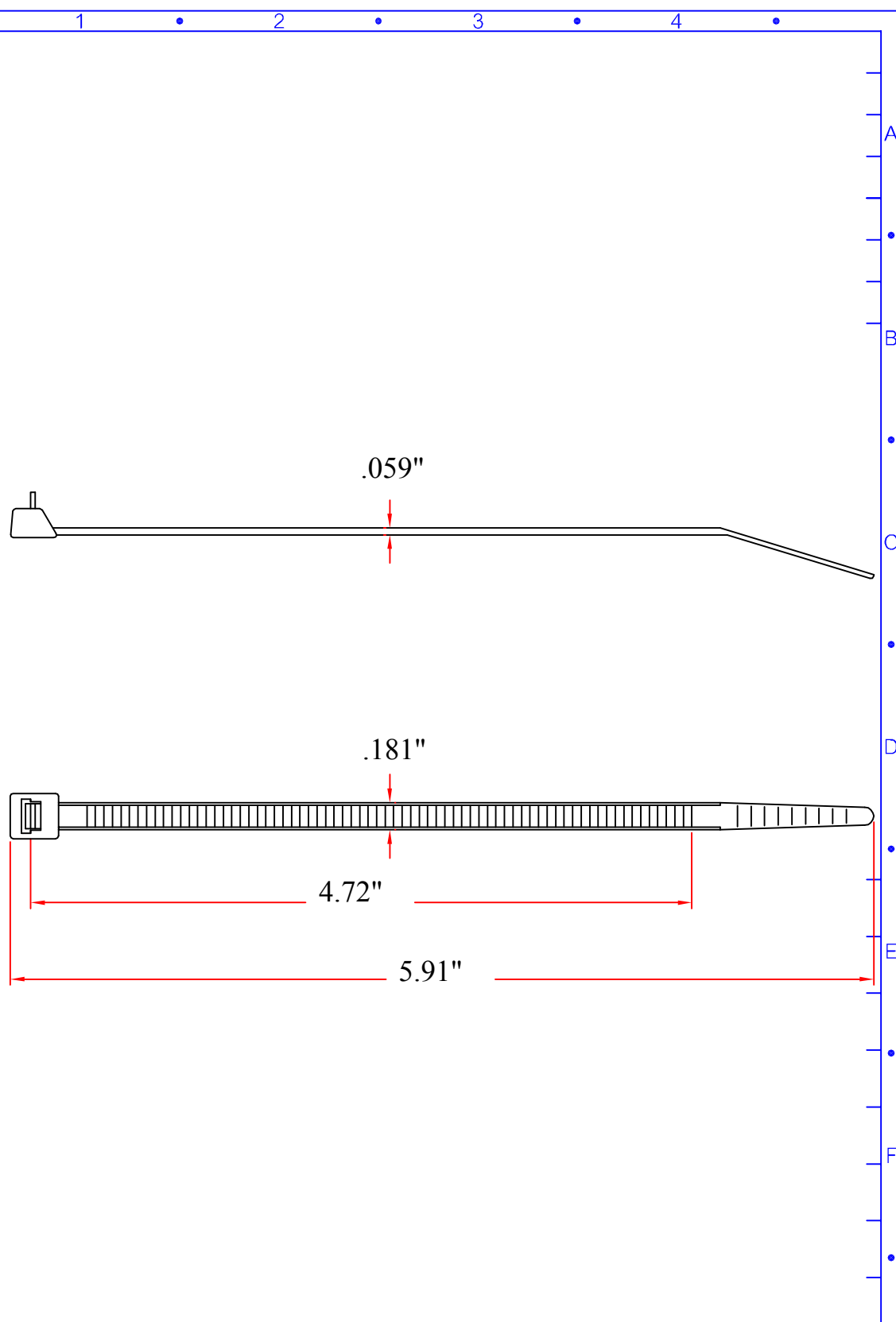
Packaging

Bag Qty 100

Certifications

UL Yes
CSA Yes
ROHS Yes

| Cat No. | Tensil Strength (Lbs.) | Length (Inches) | Width (Inches) | Max Bundle Dia (In) | Bag Qty | Master Bag Qty | Per 100 |
|----------------------|------------------------|-----------------|----------------|---------------------|---------|----------------|---------|
| NATURAL COLOR | | | | | | | |
| 20412 | 50 | 6 | 0.183 | 1.56 | 100 | 1000 | |
| 20414 | 50 | 8 | 0.183 | 2.17 | 100 | 1000 | |
| 20418 | 50 | 11 7/8 | 0.187 | 3.46 | 100 | 100 | |
| 20420 | 50 | 14 1/2 | 0.187 | 4.02 | 100 | 100 | |



| | | | | | |
|-----------------|---------|----------|----------|----------|----------------------|
| Morris Products | | MATERIAL | UL 94V-2 | ITEM NO. | 20412 |
| Queensbury NY | | | NYLON 66 | | |
| SCALE | | Color | Natural | NAME | Releasable Cable Tie |
| △ | (. .) | | | △ | 04-27-2009 |
| | | | | DATE | REVISIONS |
| | | | | | K002 |
| | | | | | R.NO. |