



Catalog Number See Table
UPC Number
Description Mounting Cable Tie
 Natural



Features

- Durable Nylon 6/6 Material
- Low Profile Locking Head
- Bent Tip for ease of insertion into locking head
- Mounting Tab for mechanical mounting

General

Material: Nylon 6/6
Flammability: UL94V-2

Dimension Information

Length: See Table
Width: See Table
Bundle Dia: See Table

Specifications

Temperature Rating Negative 40 to 185⁰ F
Voltage Rating 600
Flammability Rating UL 94V-2
Tensile Strength: Various

Packaging

Bag Qty 100

Certifications

UL Yes
CSA Yes
ROHS Yes

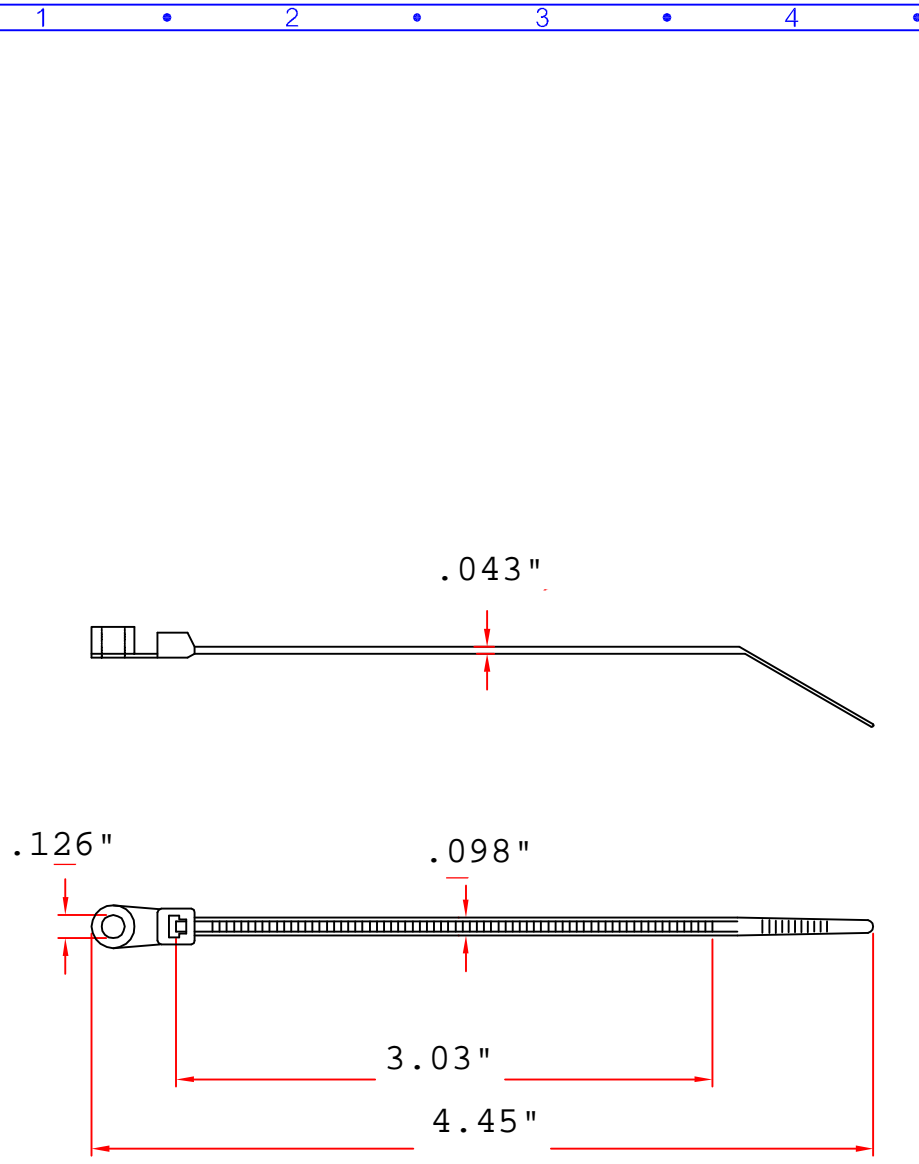
Cat No.	Tensil Strength (Lbs.)	Length (Inches)	Width (Inches)	Max Bundle Dia (In)	Bag Qty	Master Bag Qty	
NATURAL COLOR							
20312	25	3 7/8	0.098	0.98	100	1000	
20314	40	6	0.144	1.54	100	1000	
20316	50	8	0.164	2.17	100	1000	
20317	50	11 7/8	0.187	3.35	100	1000	
20318	50	14 7/16	0.187	4.02	100	100	
20320	120	15 5/8	0.308	4.8	100	100	

www.morrisproducts.com

Morris Products 53 Carey Road, Queensbury, NY 12804



14515-99 HH



1. _____
 2. _____
 3. _____
 4. _____
 5. _____
 6. _____
 7. _____
 8. _____
 9. _____
 10. _____
 11. _____
 12. _____
 13. _____
 14. _____
 15. _____
 16. _____
 17. _____
 18. _____
 19. _____
 20. _____

		MATERIAL	UL 94V-2	ITEM NO.	20312	
		NYLON 66				
SCALE			Natural	NAME	MOUNTING CABLE TIE	
△	(. .)	Morris Products Queensbury NY		△	09-27-2006 DATE	REVISIONS K001
						R.NO.