



Catalog Number See Table
UPC Number
Description Cable Tie - UV Black
 175 Lb Tensile Strength



Features

- Durable Nylon 6/6 Material
- Low Profile Locking Head
- Bent Tip for ease of insertion into locking head

General

Material: Nylon 6/6
Flammability: UL94V-2

Dimension Information

Length: See Table
Width: See Table
Bundle Dia: See Table

Specifications

Temperature Rating Negative 40 to 185⁰ F
Voltage Rating 600
Flammability Rating UL 94V-2
Tensile Strength: 175 Lbs
UV Rating: UV Resistant - Carbonate A additive

Packaging

Bag Qty 100

Certifications

UL Yes
CSA Yes
ROHS Yes

Cat No.	Tensil Strength (Lbs.)	Length (Inches)	Width (Inches)	Max Bundle Dia (Inches)	Bag Qty	Master Bag Qty	Per 100
20282	175	17 3/4	0.312	5.24	100	100	
20284	175	21 5/8	0.312	6.54	100	100	
20285	175	24	0.351	7.28	100	100	
20286	175	30	0.351	9.29	100	100	
20287	175	36	0.351	10.63	100	100	
20288	175	46	0.351	14.17	100	100	
20289	175	48	0.351	14.96	100	100	

www.morrisproducts.com

Morris Products 53 Carey Road, Queensbury, NY 12804



E97527



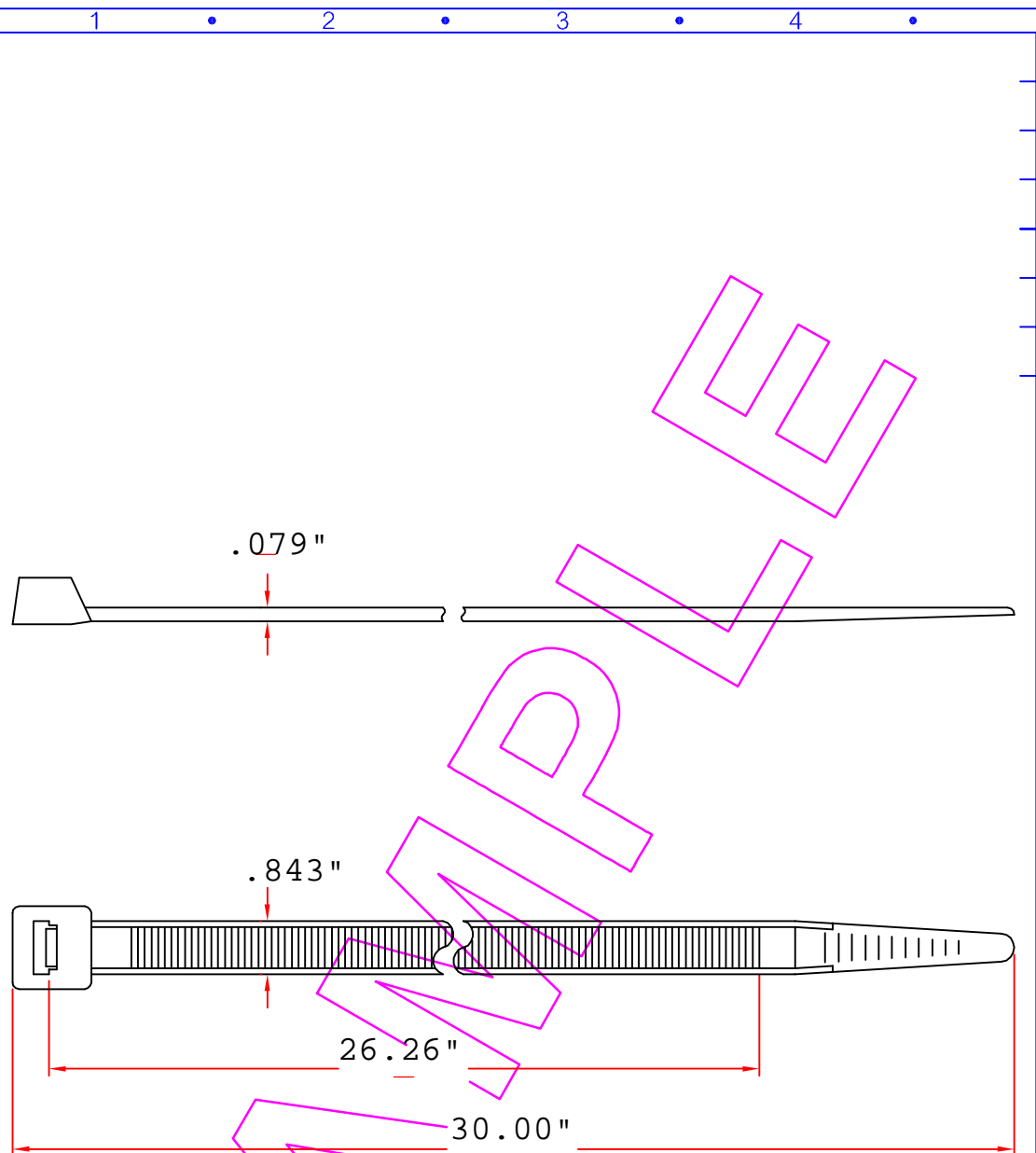
14515-99 HH



E-4988



06/10038



SAMPLE

	MATERIAL	UL 94V-2 NYLON 66	ITEM NO.	20286
SCALE			NAME	NYLON CABLE TIE
△	(. .)	Morris Products Queensbury NY	△	06-11-2008 DATE REVISIONS K001
				R.NO.