



**Catalog Number** See Table  
**UPC Number**  
**Description** Cable Tie - UV Black  
 175 Lb Tensile Strength



**Features**

- Durable Nylon 6/6 Material
- Low Profile Locking Head
- Bent Tip for ease of insertion into locking head

**General**

**Material:** Nylon 6/6  
**Flammability:** UL94V-2

**Dimension Information**

**Length:** See Table  
**Width:** See Table  
**Bundle Dia:** See Table

**Specifications**

**Temperature Rating** Negative 40 to 185<sup>0</sup> F  
**Voltage Rating** 600  
**Flammability Rating** UL 94V-2  
**Tensile Strength:** 175 Lbs  
**UV Rating:** UV Resistant - Carbonate A additive

**Packaging**

**Bag Qty** 100

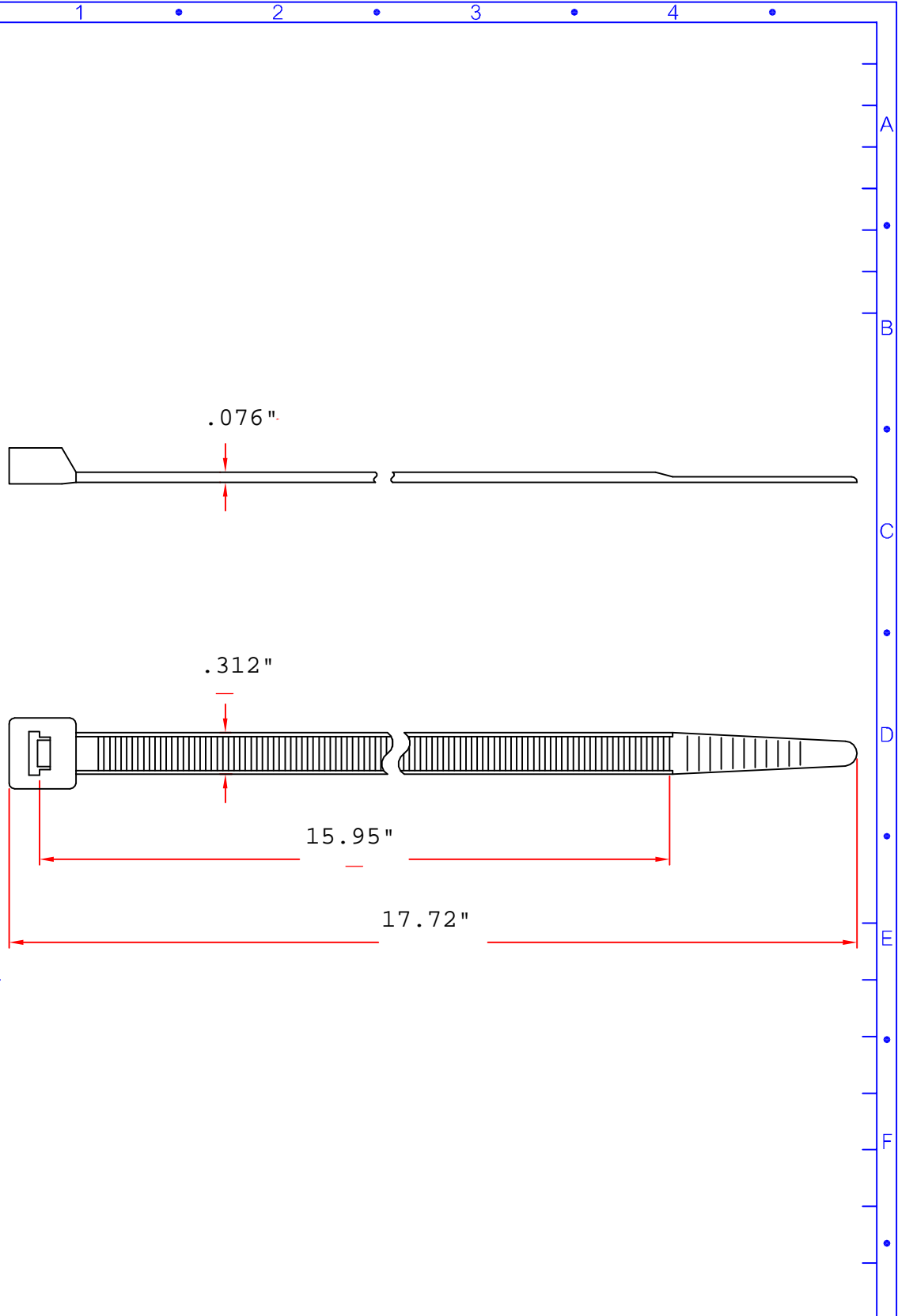
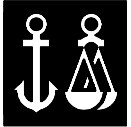
**Certifications**

**UL** Yes  
**CSA** Yes  
**ROHS** Yes

Cat No.	Tensil Strength (Lbs.)	Length (Inches)	Width (Inches)	Max Bundle Dia (Inches)	Bag Qty	Master Bag Qty	Per 100
20282	175	17 3/4	0.312	5.24	100	100	
20284	175	21 5/8	0.312	6.54	100	100	
20285	175	24	0.351	7.28	100	100	
20286	175	30	0.351	9.29	100	100	
20287	175	36	0.351	10.63	100	100	
20288	175	46	0.351	14.17	100	100	
20289	175	48	0.351	14.96	100	100	

[www.morrisproducts.com](http://www.morrisproducts.com)

Morris Products 53 Carey Road, Queensbury, NY 12804



Morris Products Queensbury NY		MATERIAL	UL 94V-2 NYLON 66	ITEM NO.	20282
SCALE			175 LBS Tensile	NAME	NYLON CABLE TIE
	(. .)	UV Resistant Black		(. . .) DATE	03-22-2007
				REVISIONS	K001
				R.NO.	