



**Catalog Number** See Table  
**UPC Number**  
**Description** Cable Tie - UV Black  
 120 Lb Tensile Strength



**Features**

- Durable Nylon 6/6 Material
- Low Profile Locking Head
- Bent Tip for ease of insertion into locking head

**General**

**Material:** Nylon 6/6  
**Flammability:** UL94V-2

**Dimension Information**

**Length:** See Table  
**Width:** See Table  
**Bundle Dia:** See Table

**Specifications**

**Temperature Rating** Negative 40 to 185<sup>0</sup> F  
**Voltage Rating** 600  
**Flammability Rating** UL 94V-2  
**Tensile Strength:** 120 Lbs  
**UV Rating:** UV Resistant Carbonate A additive

**Packaging**

**Bag Qty** 100

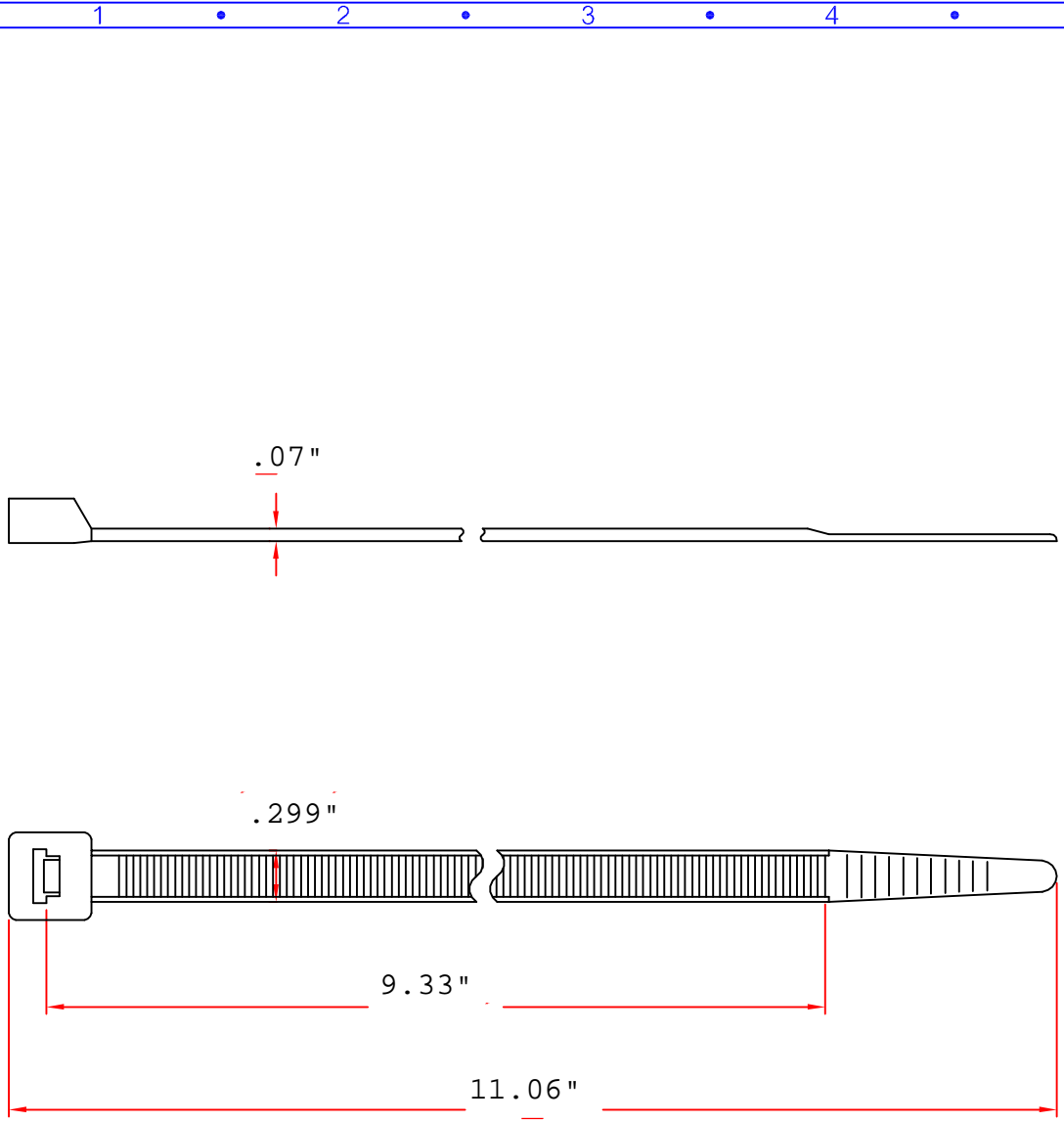
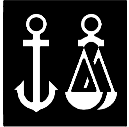
**Certifications**

**UL** Yes  
**CSA** Yes  
**ROHS** Yes

Cat No.	Tensil Strength (Lbs.)	Length (Inches)	Width (Inches)	Max Bundle Dia (Inches)	Bag Qty	Master Bag Qty	Per 100
20272	120	8	0.296	2.17	100	100	
20274	120	11	0.296	3.19	100	100	
20276	120	15	0.296	4.33	100	100	

[www.morrisproducts.com](http://www.morrisproducts.com)

Morris Products 53 Carey Road, Queensbury, NY 12804



Morris Products  
Queensbury NY

MATERIAL-UL 94V-2  
NYLON 66

ITEM NO. 20274

SCALE

120 LBS  
Tensile

NAME  
NYLON CABLE TIE

UV Resistant  
Black

03-22-2007  
DATE

REVISIONS K001

R.NO.