



Catalog Number See Table
UPC Number
Description Cable Tie - UV Resistant Black
 50 Lb Tensile Strength

Features

- Durable Nylon 6/6 Material
- Low Profile Locking Head
- Bent Tip for ease of insertion into locking head

General

Material: Nylon 6/6
Flammability: UL94V-2

Dimension Information

Length: See Table
Width: See Table
Bundle Dia: See Table

Specifications

Temperature Rating Negative 40 to 185⁰ F
Voltage Rating 600
Flammability Rating UL 94V-2
Tensile Strength: 50 Lbs
UV Rating: UV Resistant Carbonate A additive

Packaging

Bag Qty 100

Certifications

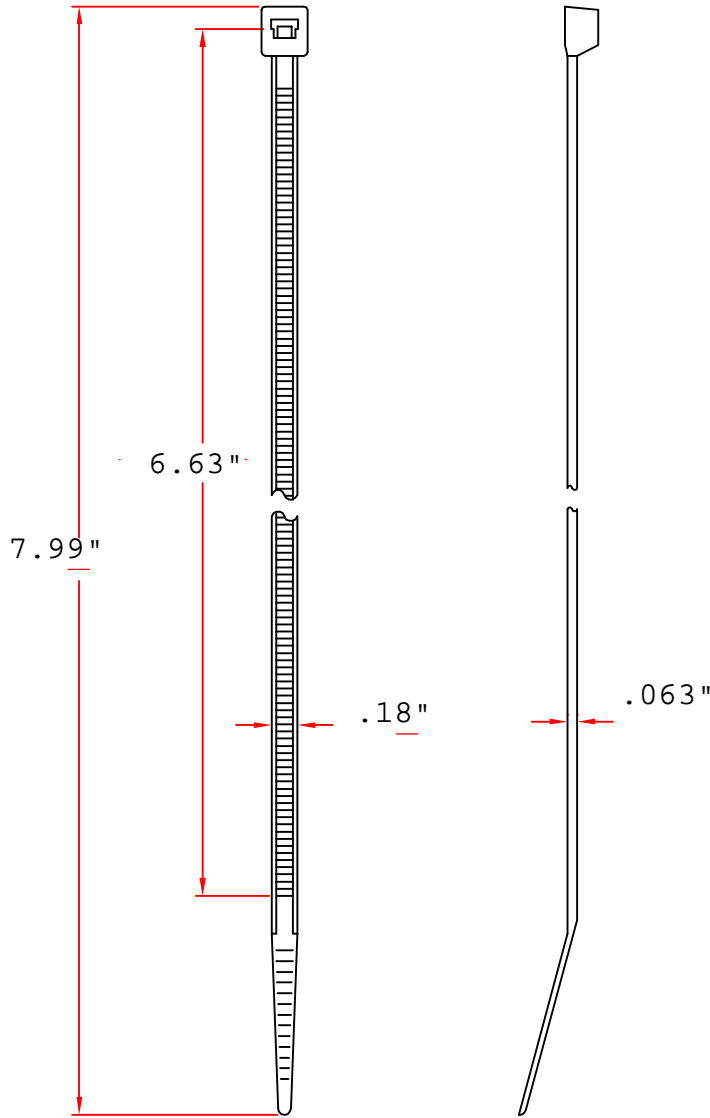
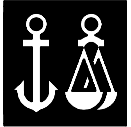
UL Yes
CSA Yes
ROHS Yes



Cat No.	Tensil Strength (Lbs.)	Length (Inches)	Width (Inches)	Max Bundle Dia (Inches)	Bag Qty	Master Bag Qty
20252	50	7	0.156	1.93	100	1000
20254	50	8	0.179	2.17	100	1000
20256	50	11	0.187	3.19	100	1000
20258	50	14 1/2	0.187	4.02	100	1000
20260	50	17	0.187	4.92	100	100

www.morrisproducts.com

Morris Products 53 Carey Road, Queensbury, NY 12804



Morris Products
Queensbury NY

MATERIAL UL 94V-2
NYLON 66

ITEM NO. 20254

SCALE

50 LBS
Tensile

NAME
NYLON CABLE TIE



(. .)

UV Resistant
Black



03-20-2007
DATE

REVISIONS K001

R.NO.