



**Catalog Number** See Table  
**UPC Number**  
**Description** Cable Tie - UV Resistant Black  
 50 Lb Tensile Strength

**Features**

- Durable Nylon 6/6 Material
- Low Profile Locking Head
- Bent Tip for ease of insertion into locking head

**General**

**Material:** Nylon 6/6  
**Flammability:** UL94V-2

**Dimension Information**

**Length:** See Table  
**Width:** See Table  
**Bundle Dia:** See Table

**Specifications**

**Temperature Rating** Negative 40 to 185<sup>0</sup> F  
**Voltage Rating** 600  
**Flammability Rating** UL 94V-2  
**Tensile Strength:** 50 Lbs  
**UV Rating:** UV Resistant Carbonate A additive

**Packaging**

**Bag Qty** 100

**Certifications**

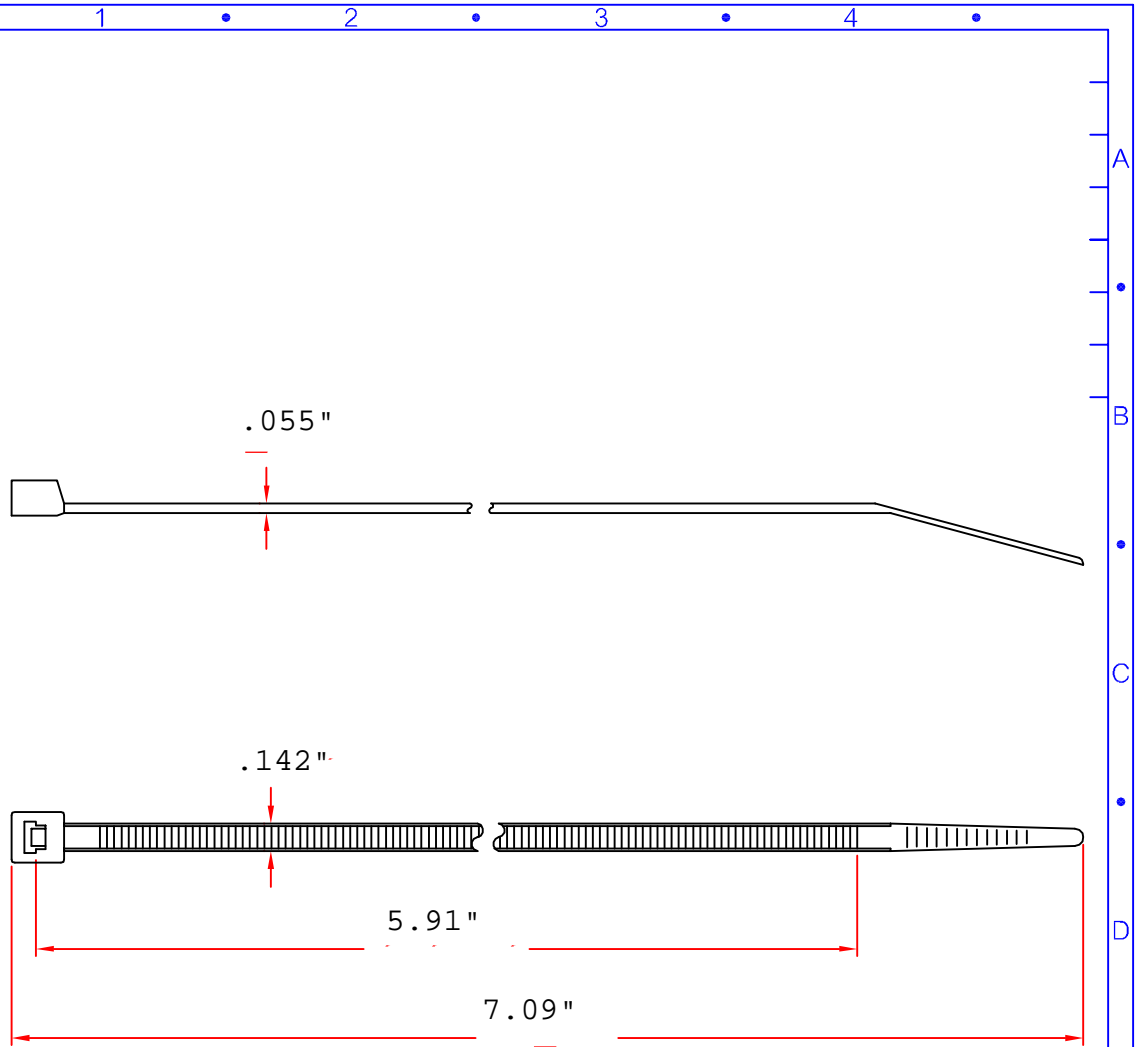
**UL** Yes  
**CSA** Yes  
**ROHS** Yes



Cat No.	Tensil Strength (Lbs.)	Length (Inches)	Width (Inches)	Max Bundle Dia (Inches)	Bag Qty	Master Bag Qty
20252	50	7	0.156	1.93	100	1000
20254	50	8	0.179	2.17	100	1000
20256	50	11	0.187	3.19	100	1000
20258	50	14 1/2	0.187	4.02	100	1000
20260	50	17	0.187	4.92	100	100

[www.morrisproducts.com](http://www.morrisproducts.com)

Morris Products 53 Carey Road, Queensbury, NY 12804



Morris Products Queensbury NY		MATERIAL	UL 94V-2 NYLON 66	ITEM NO.	20252
SCALE		50 LBS Tensile	NAME NYLON CABLE TIE		
△	(. .)	UV Resistant Black	△	03-20-2007 DATE	REVISIONS K001
					R.NO.