



Catalog Number See Table
UPC Number
Description Cable Tie - Natural
 250 Lb Tensile Strength

Features

- Durable Nylon 6/6 Material
- Low Profile Locking Head
- Bent Tip for ease of insertion into locking head



General

Material: Nylon 6/6
Flammability: UL94V-2

Dimension Information

Length: See Table
Width: See Table
Bundle Dia: See Table

Specifications

Temperature Rating Negative 40 to 185⁰ F
Voltage Rating 600
Flammability Rating UL 94V-2
Tensile Strength: 250 Lbs

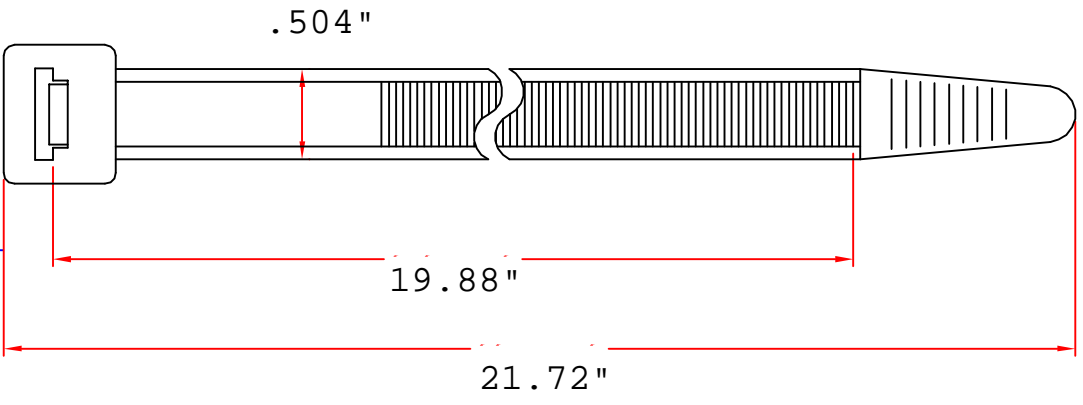
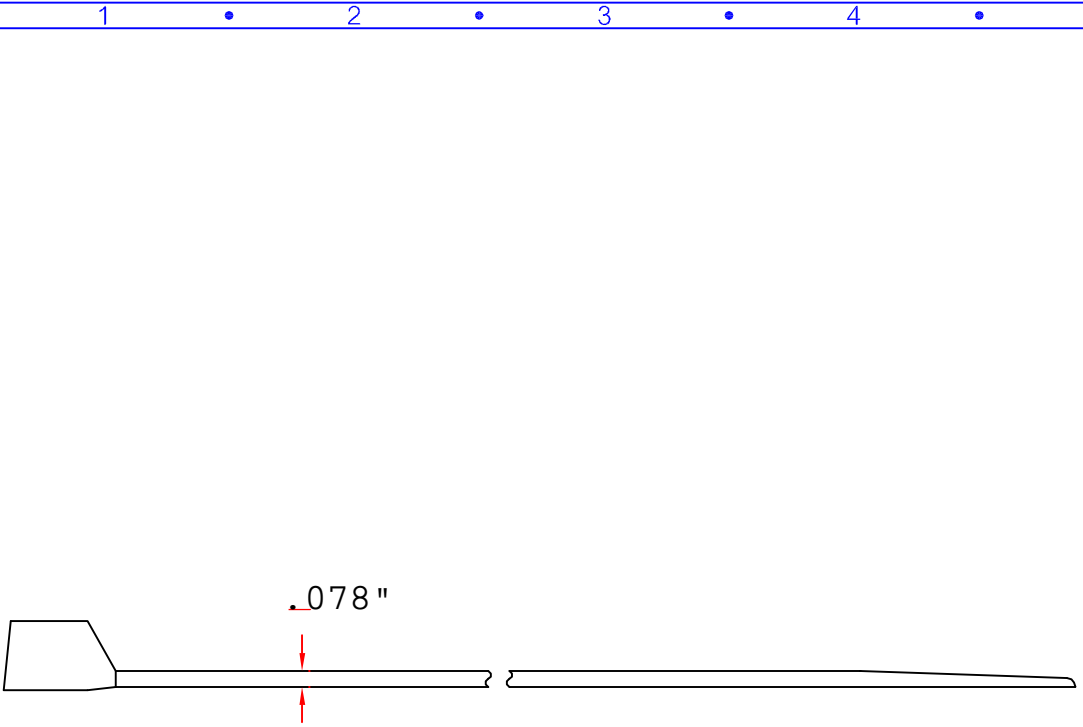
Packaging

Bag Qty 100

Certifications

UL Yes
CSA Yes
ROHS Yes

Cat. No.	Tensil Strength (Lbs.)	Length (Inches)	Width (Inches)	Max Bundle Dia (Inches)	Bag Qty	Master Bag Qty	
20092	250	11	0.5	3.19	100	100	
20094	250	21 5/8	0.5	6.54	100	100	
20096	250	28 3/4	0.5	8.86	100	100	
20098	250	40 1/2	0.5	12.48	100	100	



MATERIAL UL 94V-2
 NYLON 66

ITEM NO. 20094

SCALE

FINISH Natural

NAME NYLON CABLE TIE

Morris Products
 Queensbury NY

03-22-2007
 DATE

REVISIONS K001

R.NO.