



**Catalog Number** See Table  
**UPC Number**  
**Description** Cable Tie - Natural  
 250 Lb Tensile Strength

**Features**

- Durable Nylon 6/6 Material
- Low Profile Locking Head
- Bent Tip for ease of insertion into locking head



**General**

**Material:** Nylon 6/6  
**Flammability:** UL94V-2

**Dimension Information**

**Length:** See Table  
**Width:** See Table  
**Bundle Dia:** See Table

**Specifications**

**Temperature Rating** Negative 40 to 185<sup>0</sup> F  
**Voltage Rating** 600  
**Flammability Rating** UL 94V-2  
**Tensile Strength:** 250 Lbs

**Packaging**

**Bag Qty** 100

**Certifications**

**UL** Yes  
**CSA** Yes  
**ROHS** Yes

Cat. No.	Tensil Strength (Lbs.)	Length (Inches)	Width (Inches)	Max Bundle Dia (Inches)	Bag Qty	Master Bag Qty	
20092	250	11	0.5	3.19	100	100	
20094	250	21 5/8	0.5	6.54	100	100	
20096	250	28 3/4	0.5	8.86	100	100	
20098	250	40 1/2	0.5	12.48	100	100	



DNV

E-4988

Lloyd's Register

06/10038

1 . 2 . 3 . 4 .

A

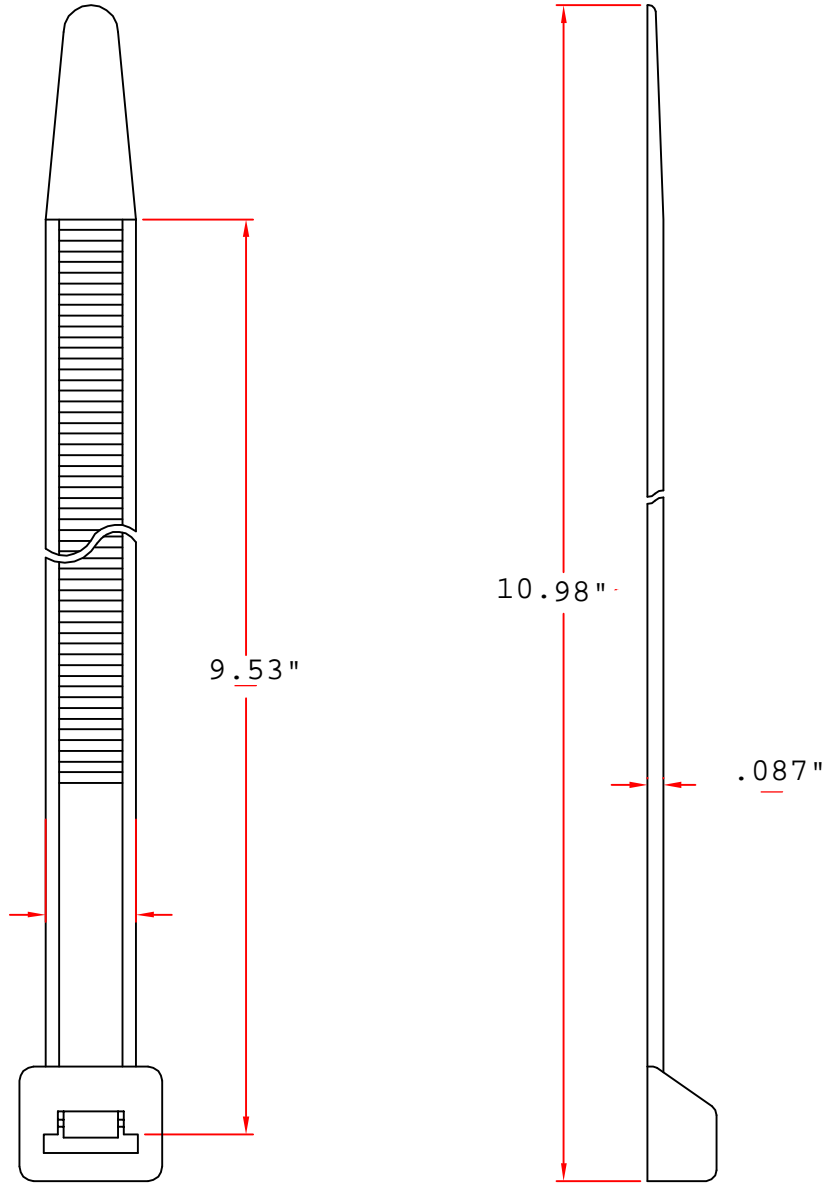
B

C

D

E

F



Morris Products  
Queensbury NY

MATERIAL-UL 94V-2  
NYLON 66

ITEM NO. 20092

SCALE

250 lbs  
Tensile

NAME  
EXTRA HEAVY DUTY TIE



( . . )



03-23-2007  
DATE

REVISIONS K001

R.NO.