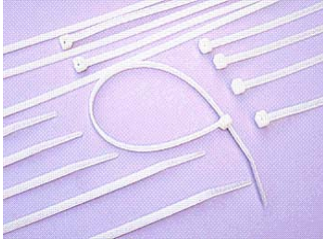




Catalog Number See Table
UPC Number
Description Cable Tie - Natural
 120 Lb Tensile Strength



Features

- Durable Nylon 6/6 Material
- Low Profile Locking Head
- Bent Tip for ease of insertion into locking head

General

Material: Nylon 6/6
Flammability: UL94V-2

Dimension Information

Length: See Table
Width: See Table
Bundle Dia: See Table

Specifications

Temperature Rating Negative 40 to 185⁰ F
Voltage Rating 600
Flammability Rating UL 94V-2
Tensile Strength: 120 Lbs

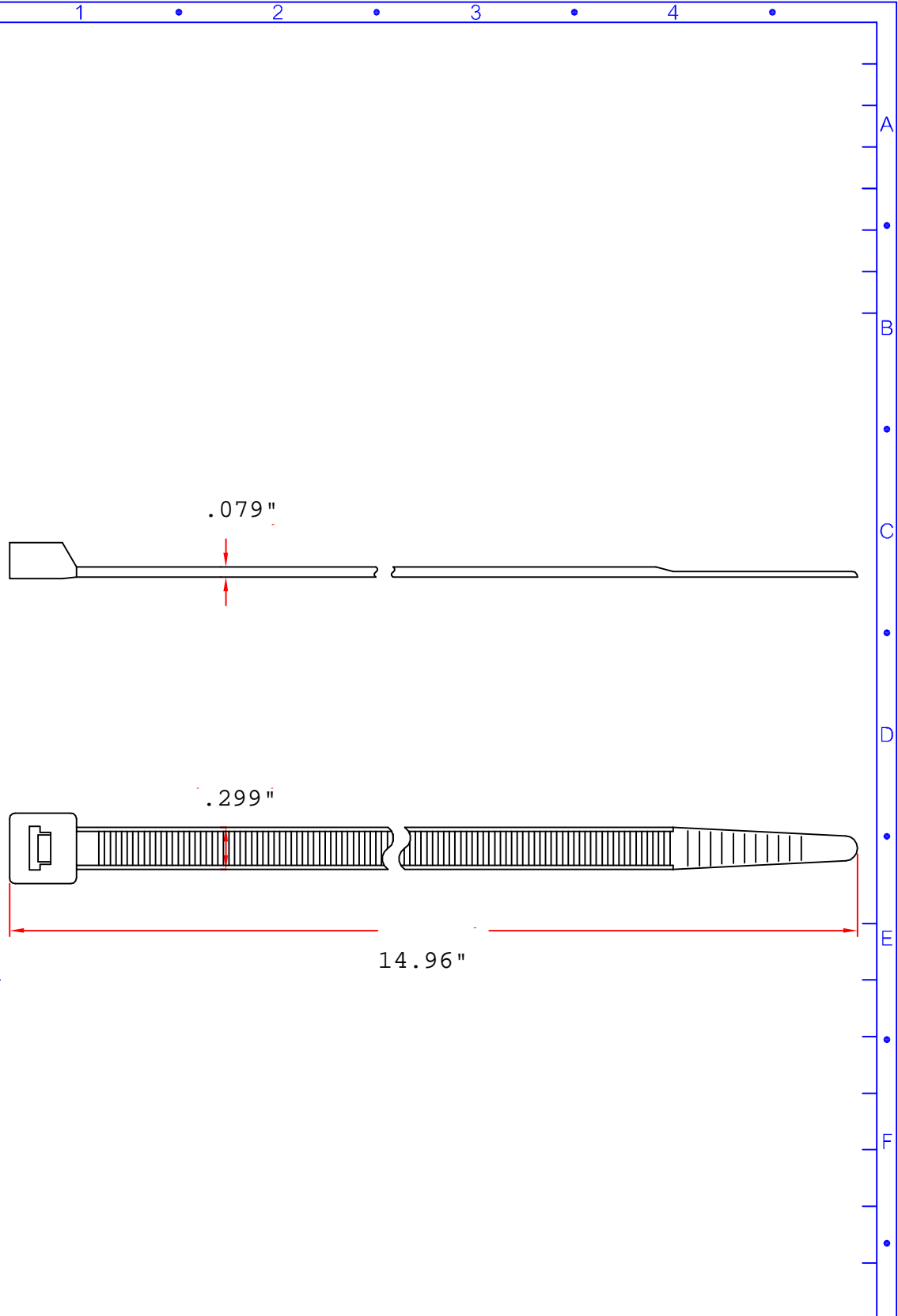
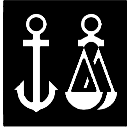
Packaging

Bag Qty 100

Certifications

UL Yes
CSA Yes
ROHS Yes

Cat. No.	Tensil Strength (Lbs.)	Length (Inches)	Width (Inches)	Max Bundle Dia (Inches)	Bag Qty	Master Bag Qty	
20072	120	8	0.296	2.17	100	100	
20074	120	11	0.296	3.19	100	100	
20076	120	15	0.296	4.33	100	100	



Morris Products Queensbury NY		MATERIAL-UL 94V-2 NYLON 66	ITEM NO. 20076
SCALE		120 LBS Tensile	NAME NYLON CABLE TIE
△	(. . .)	△	08-27-2008 DATE
			REVISIONS K001
			R.NO.