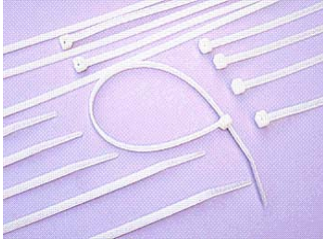




Catalog Number See Table
UPC Number
Description Cable Tie - Natural
 120 Lb Tensile Strength



Features

- Durable Nylon 6/6 Material
- Low Profile Locking Head
- Bent Tip for ease of insertion into locking head

General

Material: Nylon 6/6
Flammability: UL94V-2

Dimension Information

Length: See Table
Width: See Table
Bundle Dia: See Table

Specifications

Temperature Rating Negative 40 to 185⁰ F
Voltage Rating 600
Flammability Rating UL 94V-2
Tensile Strength: 120 Lbs

Packaging

Bag Qty 100

Certifications

UL Yes
CSA Yes
ROHS Yes

Cat. No.	Tensil Strength (Lbs.)	Length (Inches)	Width (Inches)	Max Bundle Dia (Inches)	Bag Qty	Master Bag Qty	
20072	120	8	0.296	2.17	100	100	
20074	120	11	0.296	3.19	100	100	
20076	120	15	0.296	4.33	100	100	

C **UL** **US**
E97527



14515-99 HH



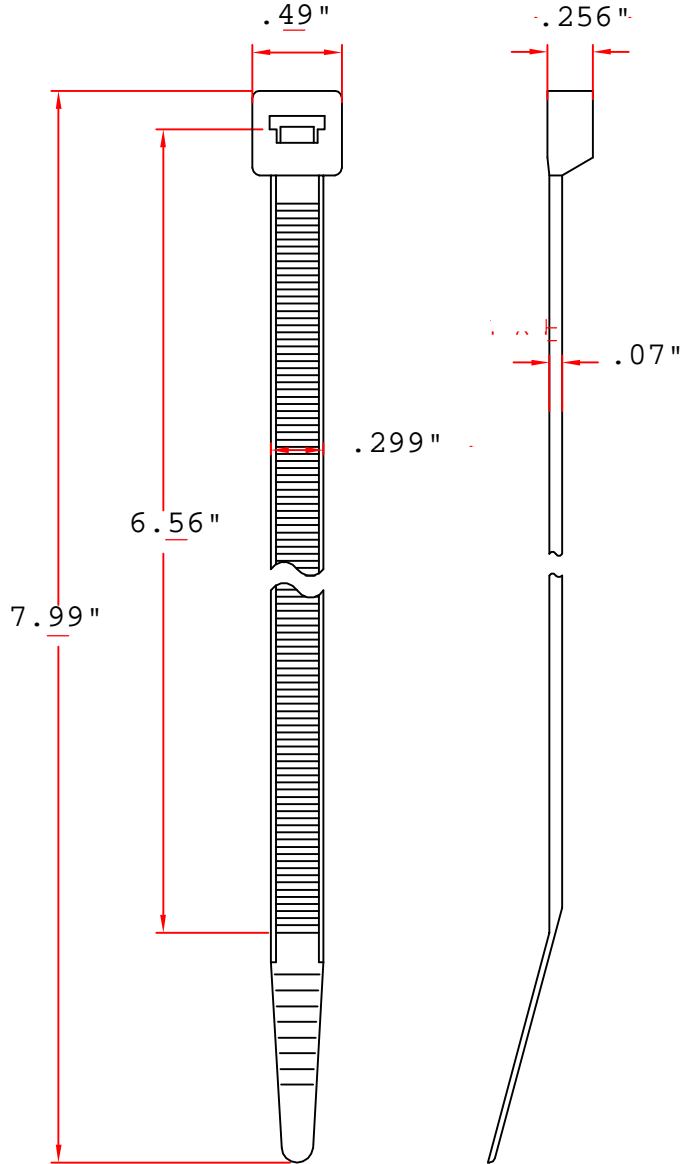
DNV
E-6713

Lloyds Register

06/10038



40022513



Morris Products
Queensbury NY

MATERIAL-UL 94V-2
NYLON 66

ITEM NO. 20072

SCALE

120 LBS
Tensile

NAME

NYLON CABLE TIE



12-15-2008
DATE

REVISIONS K001

R.NO.