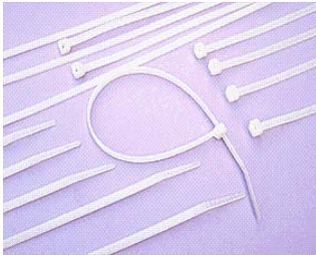




Catalog Number See Table
UPC Number
Description Cable Tie - Natural
 18 Lb Tensile Strength



Features

- Durable Nylon 6/6 Material
- Low Profile Locking Head
- Bent Tip for ease of insertion into locking head

General

Material: Nylon 6/6
Flammability: UL94V-2

Dimension Information

Length: See Table
Width: See Table
Bundle Dia: See Table

Specifications

Temperature Rating Negative 40 to 185⁰ F
Voltage Rating 600
Flammability Rating UL 94V-2
Tensile Strength: 18 Lbs

Packaging

Bag Qty 100

Certifications

UL Yes
CSA Yes
ROHS Yes

Cat. No.	Tensile Strength (Lbs.)	Length (Inches)	Width (Inches)	Max Bundle Dia (Inches)	Bag Qty	Master Bag Qty	
20012	18	3	0.094	0.71	100	1000	
20014	18	4	0.098	0.99	100	1000	
20016	18	4 3/4	0.098	1.18	100	1000	
20018	18	5 1/2	0.098	1.38	100	1000	
20020	18	6 1/2	0.098	1.73	100	1000	
20022	18	8	0.098	2.17	100	1000	

UL
E97527



14515-99 HH



DNV

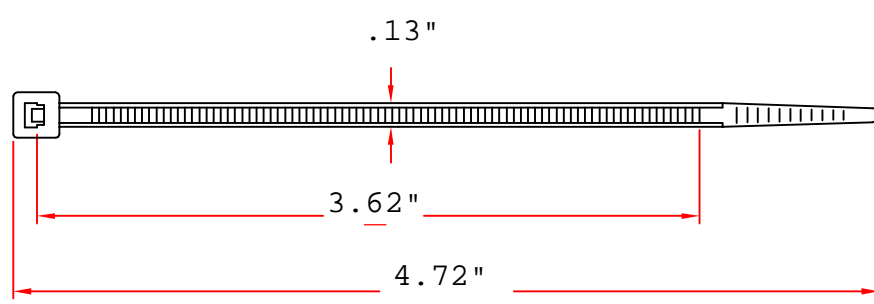
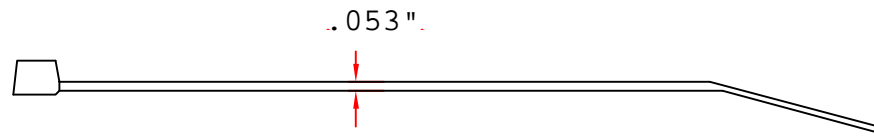
E-10035

Lloyds Register

06/10038



40022513



Morris Products
Queensbury NY

MATERIAL: UL 94V-2
NYLON 66

ITEM NO. 20016

SCALE

18 LBS
Tensile

NAME
NYLON CABLE TIE



(. .)



05-12-2009
DATE

REVISIONS K002

R.NO.